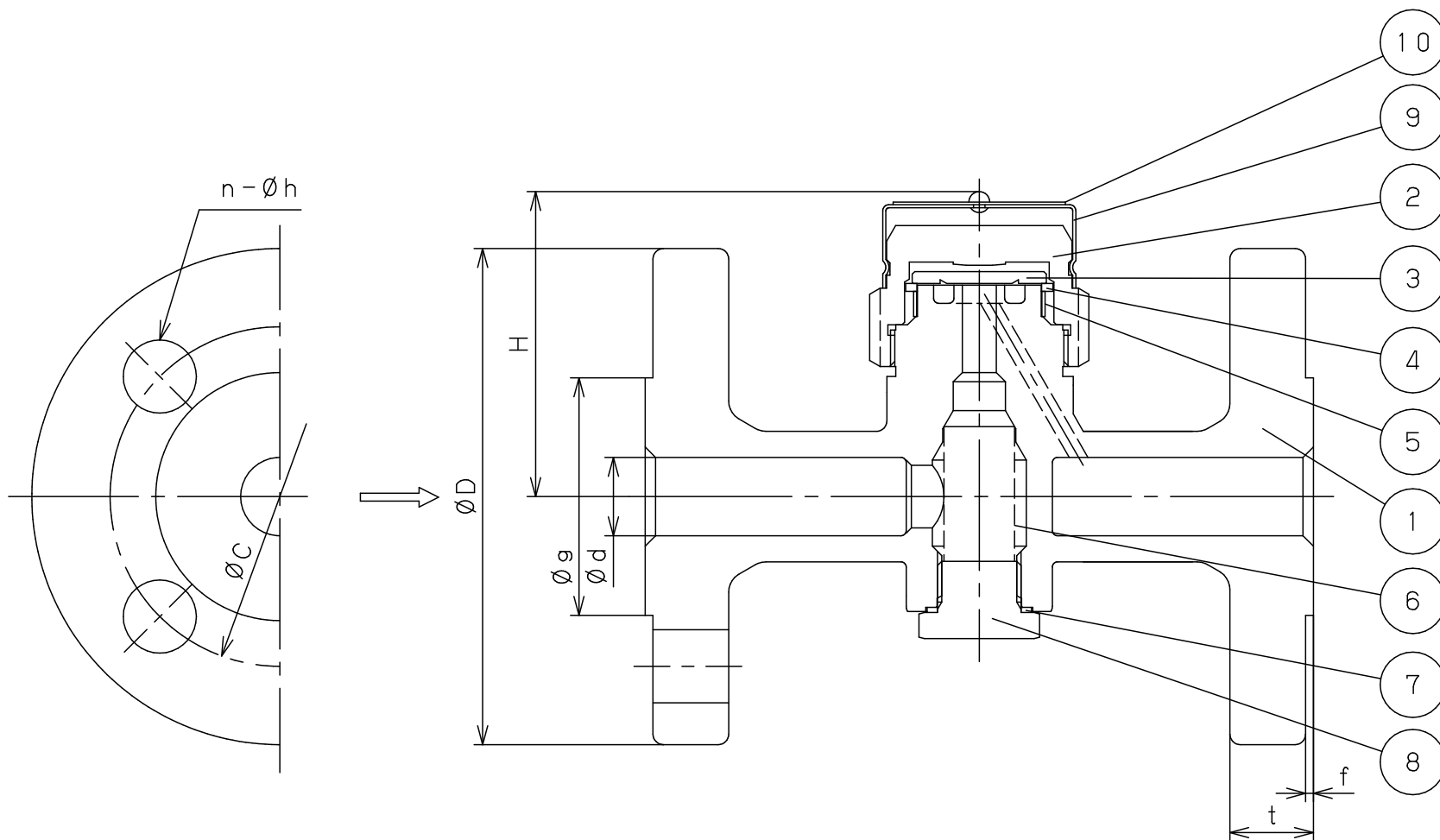


Caution

This drawing may contain information like the covert intelligence etc. legally defended. Disclosing the content of this drawing and information etc. for the production of trial product and mass-produced goods or to the third party are prohibited. Yoshitake inc.



10	Name Plate	Aluminium	銘板	A1050P	1
9	Heating Cover	Carbon Steel	保温カバー	SPC	1
8	Strainer Cap	Stainless Steel	ストレーナキャップ	SUS304	1
7	Gasket	Stainless Steel	ガスケット	SUS304	1
6	Strainer	Stainless Steel	ストレーナ	SUS304	1
5	Bi-Metal	—	バイメタル	—	1
4	Ring	Stainless Steel	リング	SUS304	1
3	Disc	Stainless Steel	ディスク	SUS420J2	1
2	Cap A	Stainless Steel	キャップ A	SUS304	1
1	Body	Cast Stainless Steel	本体	SCS2A	1
No.	Name of Parts	Material	部品名	材質	Q. TY

size	L	H	d	Flange PN 25/40						Weight (kg)
				D	C	g	t	f	n-Øh	
15	128	53	15	95	65	45	16	2	4-14	2.0
20	132	55	20	105	75	58	18	2	4-14	2.7
25	132	59	25	115	85	68	18	2	4-14	3.2

Specification	
Fluid	
Press.	MPa
Temp.	℃

TYPE TSD-42F STEAM TRAP
スチームトラップ

Approval	T. Shinjo
Check	T. Kitajima
Drawing	T. Shinoda
Drawing No	Y-1300-3699-1A
Date	21 MAR. 2018

