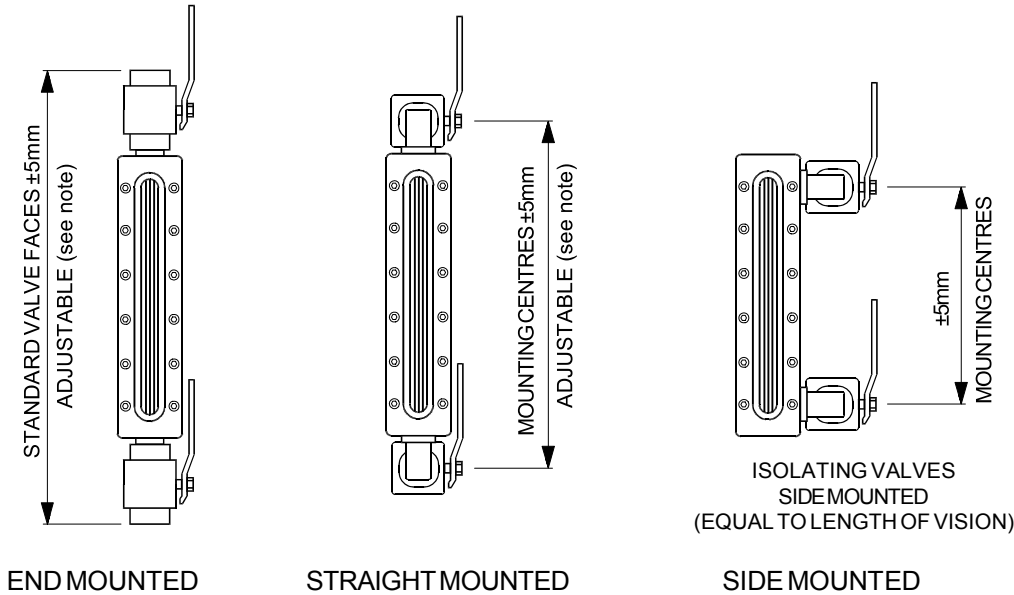
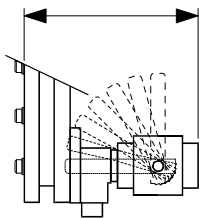


# INLINE COLUMN OPTIONS



162mm nominal  
(also applies to side and straight entry valves)



## SIDE VIEW OF REAR MOUNTED BALL VALVE OPTION

Mounting centres are as per side mounted isolation valve option.

Drain Valve can be fitted to  
STRAIGHT, SIDE & REAR mounted gauges.  
(as per Flanged options)



### NOTES

The centres/faces of all Gauges marked Adjustable can be adjusted by the addition of a suitable length adaptor post between the top of the column and the top valve, standard gauge centres are as per tables given.

## SEETRU LIMITED

ALBION DOCKSIDE WORKS, BRISTOL. BS1 6UT  
TELEPHONE +44 (0) 117 927 9204, FAX +44 (0) 117 929 8193  
www.seetru.com enquires@seetru.com

# INLINE COLUMN MOUNTING CENTRES

Table showing gauge mounting centres for standard inline column assemblies.

	LENGTH OF VISION								
	216	308	496	588	680	776	868	960	1052
END MOUNTED	454	546	734	826	918	1014	1106	1198	1290
STRAIGHT MOUNTED	348	440	628	720	812	908	1000	1092	1184
REAR/SIDE MOUNTED	216	308	496	588	680	776	868	960	1052
No. of Chambers	1	1	2	2	2	3	3	3	3

	LENGTH OF VISION								
	1056	1148	1240	1332	1336	1424	1428	1520	1612
END MOUNTED	1294	1386	1478	1570	1574	1662	1666	1758	1850
STRAIGHT MOUNTED	1188	1280	1372	1464	1468	1556	1560	1652	1744
REAR/SIDE MOUNTED	1056	1148	1240	1332	1336	1424	1428	1520	1612
No. of Chambers	4	4	4	4	5	4	5	5	5

	LENGTH OF VISION								
	1616	1704	1708	1796	1800	1892	1896	1984	1988
END MOUNTED	1854	1942	1946	2034	2038	2130	2134	2222	2226
STRAIGHT MOUNTED	1748	1836	1840	1928	1932	2024	2028	2116	2120
REAR/SIDE MOUNTED	1616	1704	1708	1796	1800	1892	1896	1984	1988
No. of Chambers	6	5	6	5	6	6	7	6	7

### CONNECTION TYPES

3/4" B.S.P. female thread (fitted as standard)  
3/4" & 1" B.S.P. male threads & suitable flanges are available as optional extra.  
NPT threads also available

### TECHNICAL DATA

Maximum operating pressure = 75 Bar.g  
Maximum operating temperature = 250 °C  
Minimum operating temperature = 0°C (without frost-guard).  
0°C to -30°C with frost guard.

All temperatures are subject to seal material and pressure.

### MATERIALS

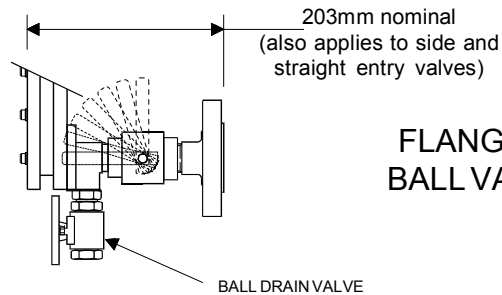
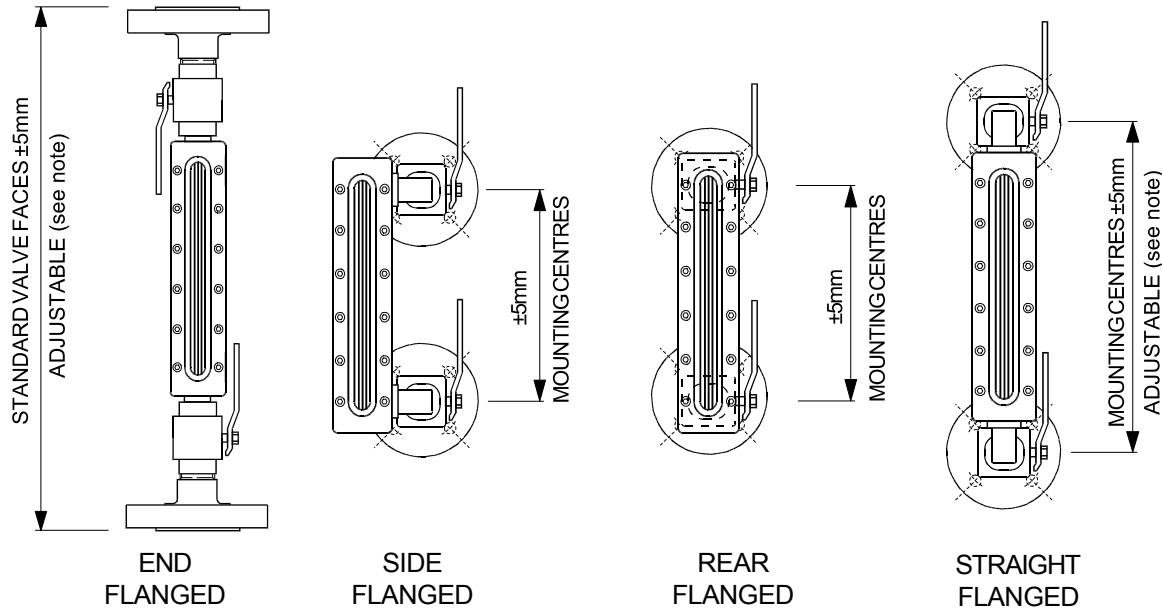
Gauge chamber: Stainless Steel 316  
Reflex glass: Borosilicate BS3463  
Chamber seals available: Viton®, Nitrile, Neoprene, Ethylene propylene, P.T.F.E.

Glass to chamber seal: Asbestos free gasket  
Valve body: Stainless Steel 316  
Valve seal: P.T.F.E. for high pressure up to 150°C  
low pressure up to 250°C  
Polyimid for high pressure between 150°C and 250°C

## REFLEX GAUGE DETAILS BALL TYPE ISOLATING VALVES RB0105

SHEET 1 OF 5 SHEETS

# INLINE COLUMN FLANGED OPTIONS



## FLANGE AND/OR DRAIN VALVE OPTIONS FOR BALL VALVE (STRAIGHT, SIDE OR REAR ENTRY)



### NOTES

The centres/faces of all Gauges marked Adjustable can be adjusted by the addition of a suitable length adaptor post between the top of the column and the top valve, standard gauge centres are as per tables given.

## SEETRU LIMITED

ALBION DOCKSIDE WORKS, BRISTOL. BS1 6UT  
 TELEPHONE +44 (0) 117 927 9204, FAX +44 (0) 117 929 8193  
 www.seetru.com enquires@seetru.com

# INLINE COLUMN MOUNTING CENTRES

Table showing gauge mounting centres for standard inline column assemblies.

	LENGTH OF VISION									
	216	308	496	588	680	776	868	960	1052	
END MOUNTED	536	628	816	908	1000	1096	1188	1280	1372	
STRAIGHT MOUNTED	348	440	628	720	812	908	1000	1092	1184	
REAR/SIDE MOUNTED	216	308	496	588	680	776	868	960	1052	
No. of Chambers	1	1	2	2	2	3	3	3	3	

	LENGTH OF VISION									
	1056	1148	1240	1332	1336	1424	1428	1520	1612	
END MOUNTED	1376	1468	1560	1652	1656	1744	1748	1840	1932	
STRAIGHT MOUNTED	1188	1280	1372	1464	1468	1556	1560	1652	1744	
REAR/SIDE MOUNTED	1056	1148	1240	1332	1336	1424	1428	1520	1612	
No. of Chambers	4	4	4	4	5	4	5	5	5	

	LENGTH OF VISION									
	1616	1704	1708	1796	1800	1892	1896	1984	1988	
END MOUNTED	1936	2024	2028	2116	2120	2212	2216	2304	2308	
STRAIGHT MOUNTED	1748	1836	1840	1928	1932	2024	2028	2116	2120	
REAR/SIDE MOUNTED	1616	1704	1708	1796	1800	1892	1896	1984	1988	
No. of Chambers	6	5	6	5	6	6	7	6	7	

### CONNECTION TYPES

Suitable loose flanges fitted as shown in place of female thread.  
 Any pattern can be supplied from 1" or 25mm upward.

### TECHNICAL DATA

Maximum operating pressure = 75 Bar.g  
 Maximum operating temperature = 250°C  
 Minimum operating temperature = 0°C (without frost-guard).  
 0°C to -30°C with frost guard.

All temperatures are subject to seal material and pressure.

### MATERIALS

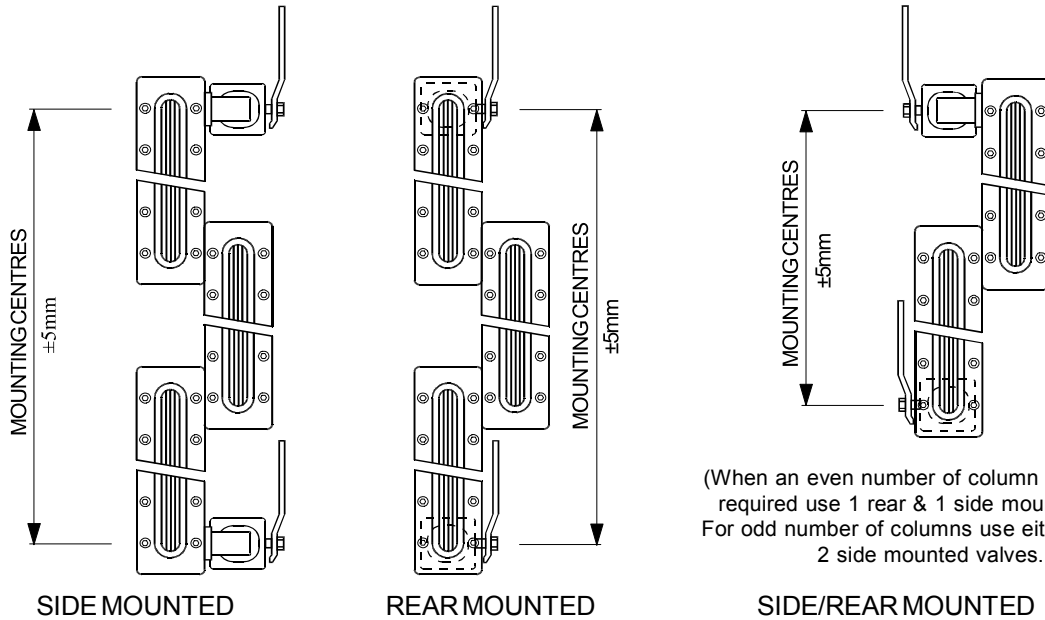
Gauge chamber:	Stainless Steel 316
Reflex glass:	Borosilicate BS3463
Chamber seals available:	Viton®, Nitrile, Neoprene, Ethylene propylene, P.T.F.E. Asbestos free gasket
Glass to chamber seal:	Stainless Steel 316
Valve body:	high pressure up to 150°C low pressure up to 250°C
Valve seal:	P.T.F.E. for Polyimid for high pressure between 150°C and 250°C

## REFLEX GAUGE DETAILS BALL TYPE ISOLATING VALVES RB0205

SHEET 2 OF 5 SHEETS

# OFFSET COLUMN OPTIONS

Provides uninterrupted viewing over entire mounting centres



(When an even number of column sections are required use 1 rear & 1 side mounted valve, For odd number of columns use either 2 rear or 2 side mounted valves.)

# OFFSET COLUMN MOUNTING CENTRES

Table showing gauge mounting centres for standard offset column assemblies.

	LENGTH OF VISION								
	216	308	432	524	616	648	740	832	864
SIDE/REAR MOUNTED	216	308	432	524	616	648	740	832	864
No. of Chambers	1	1	2	2	2	3	3	3	4

	LENGTH OF VISION								
	924	956	1048	1080	1140	1172	1232	1264	1296
SIDE/REAR MOUNTED	924	956	1048	1080	1140	1172	1232	1264	1296
No. of Chambers	3	4	4	5	4	5	4	5	6

	LENGTH OF VISION								
	1356	1388	1448	1480	1512	1540	1572	1664	1728
SIDE/REAR MOUNTED	1356	1388	1448	1480	1512	1540	1572	1664	1728
No. of Chambers	5	6	5	6	7	5	6	6	8

	LENGTH OF VISION								
	1756	1820	1848	1912	1944	2004	2036		
SIDE/REAR MOUNTED	1756	1820	1848	1912	1944	2004	2036		
No. of Chambers	6	8	6	8	9	8	9		

## CONNECTION TYPES

3/4" B.S.P. female thread (fitted as standard)  
 3/4" & 1" B.S.P. male threads & suitable flanges are available as optional extra.  
 NPT threads also available.

## TECHNICAL DATA

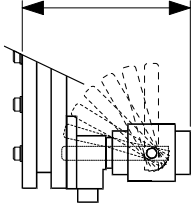
Maximum operating pressure = 75 bar.g  
 Maximum operating temperature = 250 °C  
 Minimum operating temperature = 0°C (without frost-guard).  
 0°C to -30°C with frost guard.

All temperatures are subject to seal material and pressure.

## MATERIALS

Gauge chamber: Stainless Steel 316  
 Reflex glass: Borosilicate BS3463  
 Chamber seals available: Viton®, Nitrile, Neoprene, Ethylene propylene, P.T.F.E.  
 Glass to chamber seal: Asbestos free gasket  
 Valve body: Stainless Steel 316  
 Valve seal: P.T.F.E. for high pressure up to 150°C  
 low pressure up to 250°C  
 Polyimid for high pressure between 150°C and 250°C

162mm nominal  
 (also applies to side and straight entry valves)



## SIDE VIEW OF REAR MOUNTED BALL VALVE OPTION

This option can be used with both Inline and Offset column options.  
 Mounting centres are as per side mounted isolation valve option.

Drain Valve can be fitted  
 (as per Flanged options)



## NOTES

The centres of these gauges are only supplied as stated in tables with ±5mm tolerance to aid fitting.

## SEETRU LIMITED

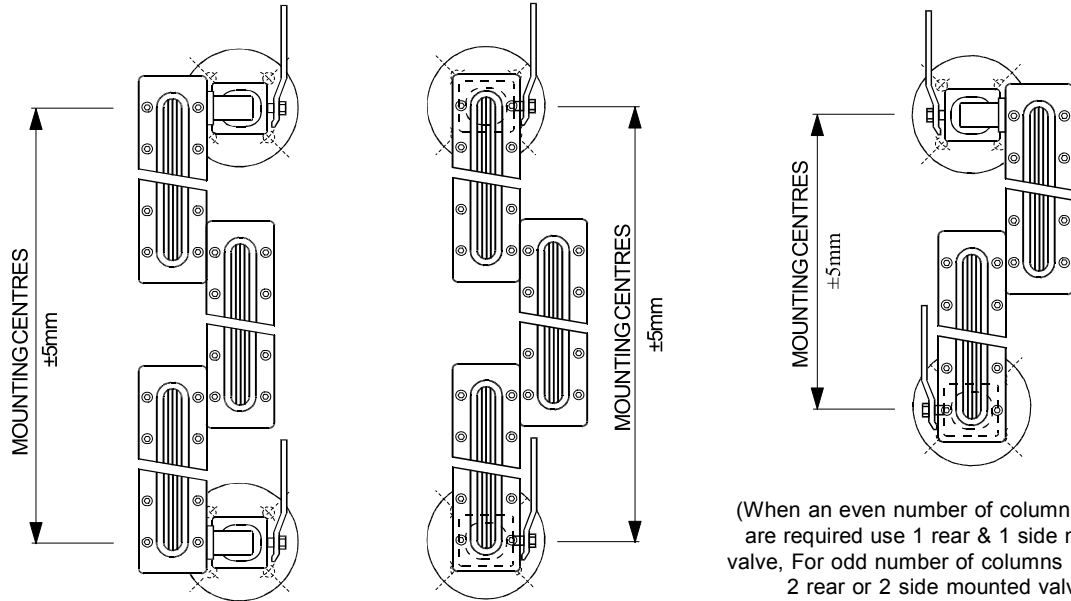
ALBION DOCKSIDE WORKS, BRISTOL. BS1 6UT  
 TELEPHONE +44 (0) 117 927 9204, FAX +44 (0) 117 929 8193  
 www.seetru.com enquires@seetru.com

## REFLEX GAUGE DETAILS BALL TYPE ISOLATING VALVES RB0305

SHEET 3 OF 5 SHEETS

# OFFSET COLUMN FLANGE OPTIONS

Provides uninterrupted viewing over entire mounting centres

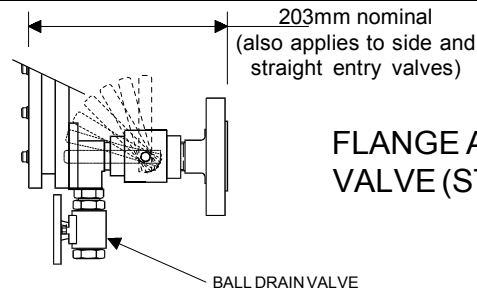


SIDE MOUNTED

REAR MOUNTED

SIDE/REAR MOUNTED

(When an even number of column sections are required use 1 rear & 1 side mounted valve, For odd number of columns use either 2 rear or 2 side mounted valves)



## FLANGE AND/OR DRAIN VALVE OPTIONS FOR BALL VALVE (STRAIGHT, SIDE OR REAR ENTRY MODELS)



### NOTES

The centres of these gauges are only supplied as stated in tables with  $\pm 5\text{mm}$  tolerance to aid fitting.

## SEETRU LIMITED

ALBION DOCKSIDE WORKS, BRISTOL. BS1 6UT  
 TELEPHONE +44 (0) 117 927 9204, FAX +44 (0) 117 929 8193  
 www.seetru.com enquires@seetru.com

# OFFSET COLUMN MOUNTING CENTRES

Table showing gauge mounting centres for standard offset column assemblies.

	LENGTH OF VISION								
	216	308	432	524	616	648	740	832	864
SIDE/REAR MOUNTED	216	308	432	524	616	648	740	832	864
No. of Chambers	1	1	2	2	2	3	3	3	4

	LENGTH OF VISION								
	924	956	1048	1080	1140	1172	1232	1264	1296
SIDE/REAR MOUNTED	924	956	1048	1080	1140	1172	1232	1264	1296
No. of Chambers	3	4	4	5	4	5	4	5	6

	LENGTH OF VISION								
	1356	1388	1448	1480	1512	1540	1572	1664	1728
SIDE/REAR MOUNTED	1356	1388	1448	1480	1512	1540	1572	1664	1728
No. of Chambers	5	6	5	6	7	5	6	6	8

	LENGTH OF VISION								
	1756	1820	1848	1912	1944	2004	2036		
SIDE/REAR MOUNTED	1756	1820	1848	1912	1944	2004	2036		
No. of Chambers	6	8	6	8	9	8	9		

### CONNECTION TYPES

Suitable loose flanges fitted as shown in place of female thread.  
 Any pattern can be supplied from 1" or 25mm upward.

### TECHNICAL DATA

Maximum operating pressure = 75 bar.g  
 Maximum operating temperature = 250 °C  
 Minimum operating temperature = 0°C (without frost-guard).  
 0°C to -30°C with frost guard.

All temperatures are subject to seal material and pressure.

### MATERIALS

Gauge chamber: Stainless Steel 316  
 Reflex glass: Borosilicate BS3463  
 Chamber seals available: Viton®, Nitrile, Neoprene, Ethylene propylene, P.T.F.E.  
 Glass to chamber seal: Asbestos free gasket  
 Valve body: Stainless Steel 316  
 Valve seal: P.T.F.E. for high pressure up to 150°C  
 low pressure up to 250°C  
 Polyimid for high pressure between 150°C and 250°C

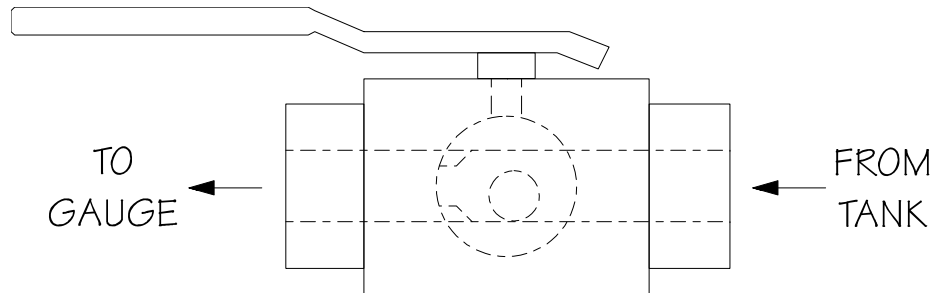
## REFLEX GAUGE DETAILS BALL TYPE ISOLATING VALVES RB0405

SHEET 4 OF 5 SHEETS

# BALL VALVES FOR REFLEX GAUGES

BALL VALVES AVAILABLE

TYPE 1: STANDARD BALL VALVE



THREADS:

STANDARD: 3/4" BSP FEMALE THREAD

OPTIONAL EXTRAS: 3/4" BSP MALE  
1" BSP MALE

ANY PATTERN FLANGE FROM 1" UPWARDS

NPT THREADS ALSO AVAILABLE

MATERIALS:

BALL VALVE & FITTINGS - STAINLESS STEEL 316



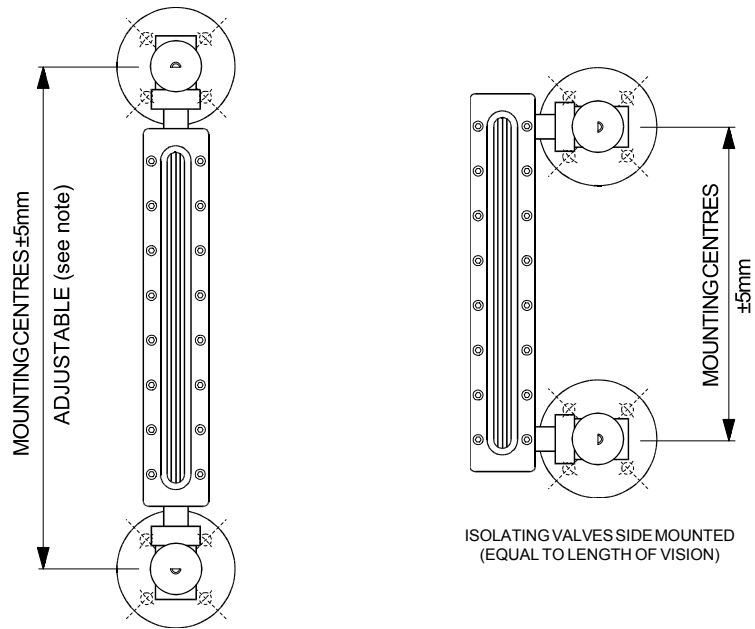
**SEETRU LIMITED**

ALBION DOCKSIDE WORKS, BRISTOL. BS1 6UT  
TELEPHONE +44 (0) 117 927 9204, FAX +44 (0) 117 929 8193  
www.seetru.com enquires@seetru.com

REFLEX GAUGE DETAILS  
AUTOMATIC SHUTOFF BALL VALVES  
RB0505

SHEET 5 OF 5 SHEETS

## INLINE COLUMN OPTIONS



STRAIGHT MOUNTED

SIDE MOUNTED

PLEASE REFER TO ACCOMPANYING DATA-SHEET FOR OPTIONAL ISOLATING VALVES

### NOTES

The centres of the gauge marked Adjustable can be adjusted by the addition of a suitable length adaptor post between the top of the column and the top valve, standard gauge centres are as per table given.

The centres of the gauge marked  $\pm 5\text{mm}$  is only supplied as stated in the table with  $\pm 5\text{mm}$  tolerance to aid fitting.



**SEETRU LIMITED**

ALBION DOCKSIDE WORKS, BRISTOL. BS1 6UT  
TELEPHONE +44 (0) 117 927 9204, FAX +44 (0) 117 929 8193  
www.seetru.com enquiries@seetru.com

## INLINE COLUMN MOUNTING CENTRES

Table showing gauge mounting centres for standard inline column assemblies.

	LENGTH OF VISION								
	216	308	496	588	680	776	868	960	1052
STRAIGHT MOUNTED	340	433	621	713	805	901	993	1085	1177
SIDE MOUNTED	216	308	496	588	680	776	868	960	1052
No. of Chambers	1	1	2	2	2	3	3	3	3

	LENGTH OF VISION								
	1056	1148	1240	1332	1336	1424	1428	1520	1612
STRAIGHT MOUNTED	1181	1273	1365	1457	1461	1549	1553	1645	1737
SIDE MOUNTED	1056	1148	1240	1332	1336	1424	1428	1520	1612
No. of Chambers	4	4	4	4	5	4	5	5	5

	LENGTH OF VISION								
	1616	1704	1708	1796	1800	1892	1896	1984	1988
STRAIGHT MOUNTED	1741	1829	1833	1921	1925	2017	2021	2109	2113
SIDE MOUNTED	1616	1704	1708	1796	1800	1892	1896	1984	1988
No. of Chambers	6	5	6	5	6	6	7	6	7

### CONNECTION TYPES

1" BS10 TABLE D  
1" ASA 150 RF  
25mm BS4504 TABLE 10

1" BS10 TABLE J  
1" ASA 300 RF  
25mm BS4504 TABLE 40

### TECHNICAL DATA

Maximum operating pressure = 35 Bar.g  
Maximum operating temperature = 250°C  
Minimum operating temperature = 0°C (without frost guard)  
0°C to -30°C with frost guard.

All temperatures are subject to seal material and pressure.

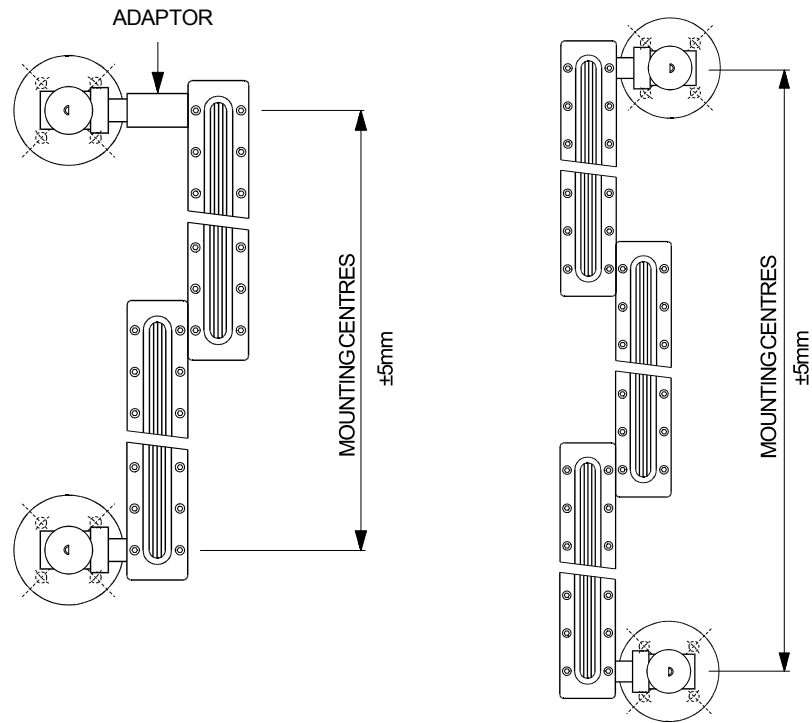
### MATERIALS

Gauge chamber: Stainless Steel 316  
Reflex glass: Borosilicate BS3463  
Chamber seals available: Viton®, Nitrile, Neoprene, Ethylene propylene, P.T.F.E.  
Glass to chamber seal: Asbestos free gasket  
Valve body: Stainless Steel 316  
Valve seal material: P.T.F.E.

**REFLEX GAUGE DETAILS**  
**CPI ISOLATING VALVES**  
**RC0103**

# OFFSET COLUMN OPTIONS

Provides uninterrupted viewing over entire mounting centres



SIDE MOUNTED EVEN

SIDE MOUNTED ODD

PLEASE REFER TO ACCOMPANYING DATA-SHEET FOR OPTIONAL ISOLATING VALVES



### NOTES

The centres of these gauges are only supplied as stated in tables with  $\pm 5\text{mm}$  tolerance to aid fitting.

## SEETRU LIMITED

ALBION DOCKSIDE WORKS, BRISTOL. BS1 6UT  
 TELEPHONE +44 (0) 117 927 9204, FAX +44 (0) 117 929 8193  
 www.seetru.com enquiries@seetru.com

# OFFSET COLUMN MOUNTING CENTRES

Table showing gauge mounting centres for standard offset column assemblies.

	LENGTH OF VISION								
	216	308	432	524	616	648	740	832	864
SIDE MOUNTED	216	308	432	524	616	648	740	832	864
No. of Chambers	1	1	2	2	2	3	3	3	4

	LENGTH OF VISION								
	924	956	1048	1080	1140	1172	1232	1264	1296
SIDE MOUNTED	924	956	1048	1080	1140	1172	1232	1264	1296
No. of Chambers	3	4	4	5	4	5	4	5	6

	LENGTH OF VISION								
	1356	1388	1448	1480	1512	1540	1572	1664	1728
SIDE MOUNTED	1356	1388	1448	1480	1512	1540	1572	1664	1728
No. of Chambers	5	6	5	6	7	5	6	6	8

	LENGTH OF VISION								
	1756	1820	1848	1912	1944	2004	2036	-	-
SIDE MOUNTED	1756	1820	1848	1912	1944	2004	2036	-	-
No. of Chambers	6	8	6	8	9	8	9	-	-

### CONNECTION TYPES

1" BS10 TABLE D  
 1" ASA 150 RF  
 25mm BS4504 TABLE 10

1" BS10 TABLE J  
 1" ASA 300 RF  
 25mm BS4504 TABLE 40

### TECHNICAL DATA

Maximum operating pressure = 35Bar.g  
 Maximum operating temperature = 250°C  
 Minimum operating temperature = 0°C (without frost guard)  
 0°C to -30°C with frost guard.

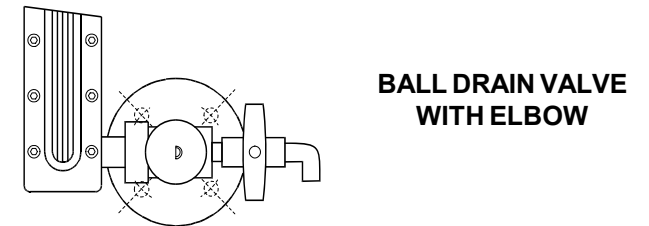
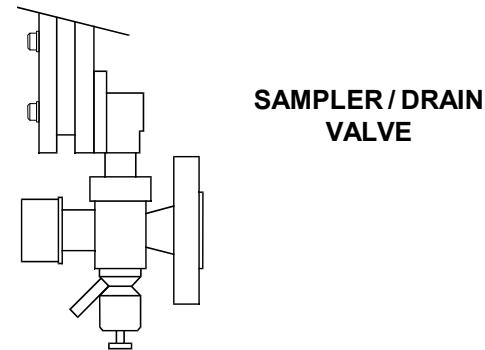
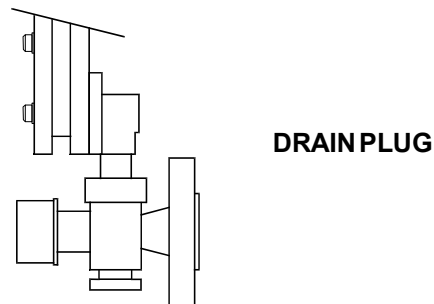
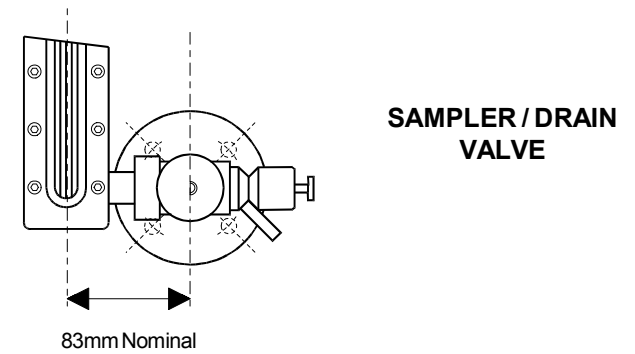
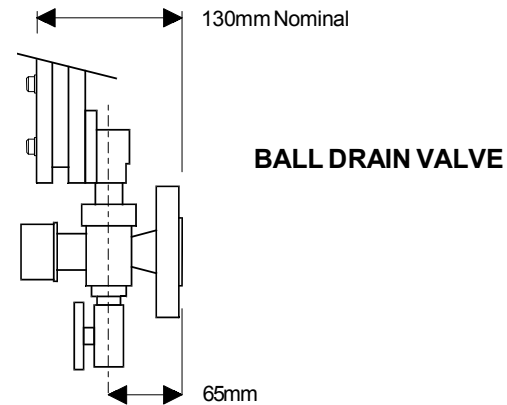
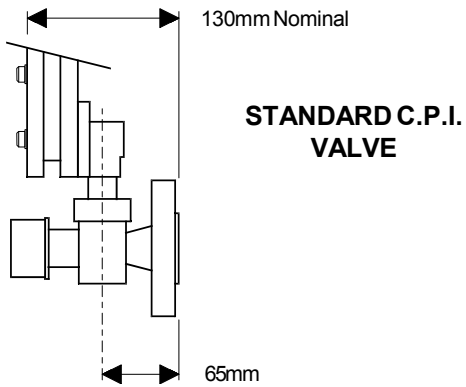
All temperatures are subject to seal material and pressure.

### MATERIALS

Gauge chamber: Stainless Steel 316  
 Reflex glass: Borosilicate BS3463  
 Chamber seals available: Viton®, Nitrile, Neoprene, Ethylene propylene, P.T.F.E.  
 Glass to chamber seal: Asbestos free gasket  
 Valve body: Stainless Steel 316  
 Valve seal material: P.T.F.E.

## REFLEX GAUGE DETAILS CPI ISOLATING VALVES RC0203

OPTIONAL C.P.I VALVES WITH DRAIN FACILITY



STRAIGHT MOUNTED

SIDE MOUNTED

Note: All CPI isolating valves are screwdown type with ball check valve.

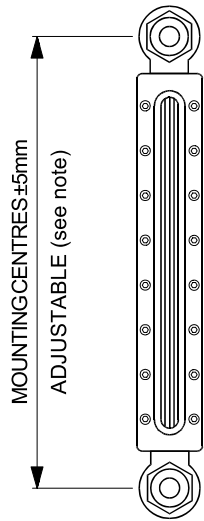


**SEETRU LIMITED**  
 ALBION DOCKSIDE WORKS, BRISTOL. BS1 6UT  
 TELEPHONE +44 (0) 117 927 9204, FAX +44 (0) 117 929 8193  
 www.seetru.com enquiries@seetru.com

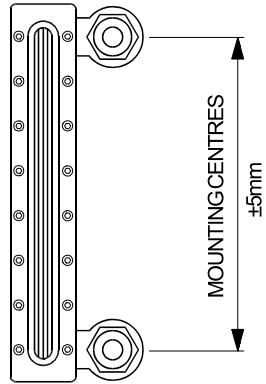
**REFLEX GAUGE OPTIONAL  
 CPI ISOLATING VALVES  
 RC0303**



## INLINE COLUMN OPTIONS



STRAIGHT MOUNTED



ISOLATING VALVES SIDE MOUNTED  
(EQUAL TO LENGTH OF VISION)

SIDE MOUNTED

### NOTES

The centres of the gauge marked Adjustable can be adjusted by the addition of a suitable length adaptor post between the top of the column and the top valve, standard gauge centres are as per table given.

The centres of the gauge marked  $\pm 5\text{mm}$  is only supplied as stated in the table with  $\pm 5\text{mm}$  tolerance to aid fitting.



**SEETRU LIMITED**

ALBION DOCKSIDE WORKS, BRISTOL. BS16UT  
TELEPHONE +44 (0) 117 927 9204, FAX +44 (0) 117 929 8193  
www.seetru.com enquiries@seetru.com

## INLINE COLUMN MOUNTING CENTRES

Table showing gauge mounting centres for standard inline column assemblies.

	LENGTH OF VISION								
	216	308	496	588	680	776	868	960	1052
STRAIGHT MOUNTED	340	433	621	713	805	901	993	1085	1177
SIDE MOUNTED	216	308	496	588	680	776	868	960	1052
No. of Chambers	1	1	2	2	2	3	3	3	3

	LENGTH OF VISION								
	1056	1148	1240	1332	1336	1424	1428	1520	1612
STRAIGHT MOUNTED	1181	1273	1365	1457	1461	1549	1553	1645	1737
SIDE MOUNTED	1056	1148	1240	1332	1336	1424	1428	1520	1612
No. of Chambers	4	4	4	4	5	4	5	5	5

	LENGTH OF VISION								
	1616	1704	1708	1796	1800	1892	1896	1984	1988
STRAIGHT MOUNTED	1741	1829	1833	1921	1925	2017	2021	2109	2113
SIDE MOUNTED	1616	1704	1708	1796	1800	1892	1896	1984	1988
No. of Chambers	6	5	6	5	6	6	7	6	7

### CONNECTION TYPES

1/2" NPT FEMALE

### TECHNICAL DATA

Maximum operating pressure = 25 Bar.g  
Maximum operating temperature = 100°C  
Minimum operating temperature = 0°C (without frost-guard)  
0°C to -30°C with frost guard.

All temperatures are subject to seal material and pressure.

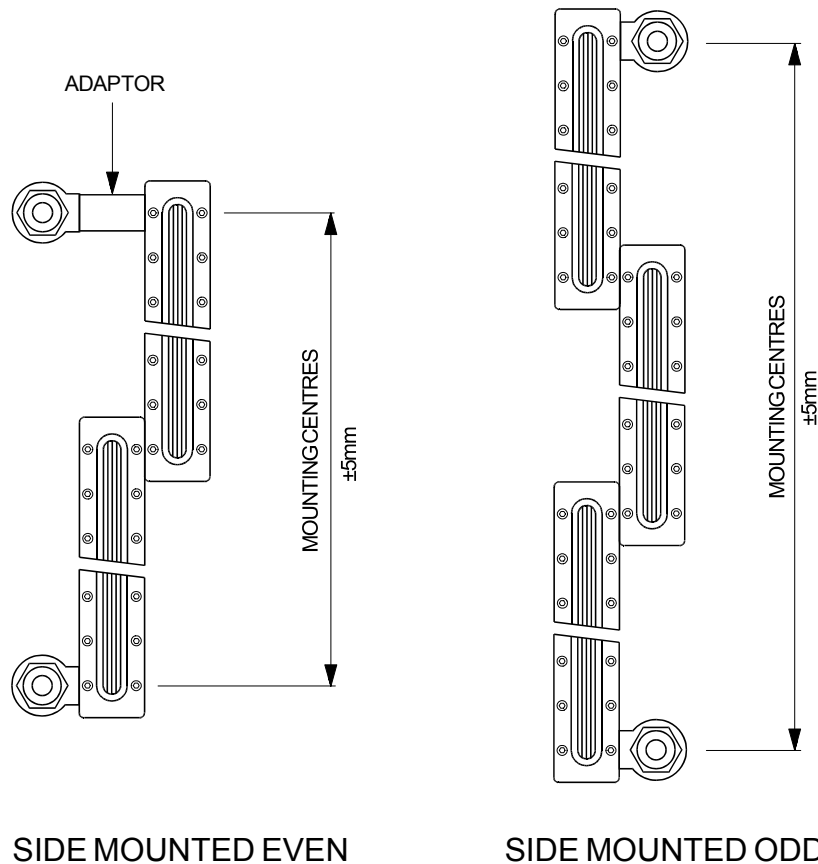
### MATERIALS

Gauge chamber: Stainless Steel 316  
Reflex glass: Borosilicate BS3463  
Chamber seals available: Viton®, Nitrile, Neoprene, Ethylene propylene  
Glass to chamber seal: Asbestos free gasket  
Valve body: Brass or Nickel Plated Steel  
Valve seal material: Viton®, Nitrile, Neoprene, Ethylene Propylene

REFLEX GAUGE DETAILS  
REFRIGERATION INDUSTRY ISOLATION VALVES  
RR0102

# OFFSET COLUMN OPTIONS

Provides uninterrupted viewing over entire mounting centres



# OFFSET COLUMN MOUNTING CENTRES

Table showing gauge mounting centres for standard offset column assemblies.

	LENGTH OF VISION								
	216	308	432	524	616	648	740	832	864
SIDE MOUNTED	216	308	432	524	616	648	740	832	864
No. of Chambers	1	1	2	2	2	3	3	3	4

	LENGTH OF VISION								
	924	956	1048	1080	1140	1172	1232	1264	1296
SIDE MOUNTED	924	956	1048	1080	1140	1172	1232	1264	1296
No. of Chambers	3	4	4	5	4	5	4	5	6

	LENGTH OF VISION								
	1356	1388	1448	1480	1512	1540	1572	1664	1728
SIDE MOUNTED	1356	1388	1448	1480	1512	1540	1572	1664	1728
No. of Chambers	5	6	5	6	7	5	6	6	8

	LENGTH OF VISION								
	1756	1820	1848	1912	1944	2004	2036	-	-
SIDE MOUNTED	1756	1820	1848	1912	1944	2004	2036	-	-
No. of Chambers	6	8	6	8	9	8	9	-	-

### CONNECTION TYPES

1/2" NPT FEMALE

### TECHNICAL DATA

Maximum operating pressure = 25 Bar.g  
 Maximum operating temperature = 100°C  
 Minimum operating temperature = 0°C (without frost-guard)  
 0°C to -30°C with frost guard.

All temperatures are subject to seal material and pressure.

### MATERIALS

Gauge chamber: Stainless Steel 316  
 Reflex glass: Borosilicate BS3463  
 Chamber seals available: Viton®, Nitrile, Neoprene, Ethylene propylene  
 Glass to chamber seal: Asbestos free gasket  
 Valve body: Brass or Nickel Plated Steel  
 Valve seal material: Viton®, Nitrile, Neoprene, Ethylene Propylene



### NOTES

The centres of the gauge marked ±5mm is only supplied as stated in the table with ±5mm tolerance to aid fitting.

## SEETRU LIMITED

ALBION DOCKSIDE WORKS, BRISTOL. BS16UT  
 TELEPHONE +44 (0) 117 927 9204, FAX +44 (0) 117 929 8193  
 www.seetru.com enquiries@seetru.com

## REFLEX GAUGE DETAILS REFRIGERATION INDUSTRY ISOLATION VALVES RR0202