

PARTS & MATERIAL LIST

No.	ITEM	MATERIAL
1	SIGHT TUBE	ANNEALED BOROSILICATE HEAT RESISTING GLASS OR POLYCARBONATE PLASTIC
2	GUARD TUBE	POLYCARBONATE PLASTIC OR ST.STL.
3	GLAND ASSY	VITON & P.T.F.E.
4	END UNIT	BRASS OR ST.STL.

THREAD CONNECTIONS

TOP CONNECTIONS	BOTTOM CONNECTIONS
1/4" BSP.PL	
M12	
1/2"-20UNF.	
M5 [OPEN VENTED]	ABOVE OPTIONS

MINI GAUGE

When ordering please state:-
 Distance between gauge centres,
 Fluid operating temperature and pressure.

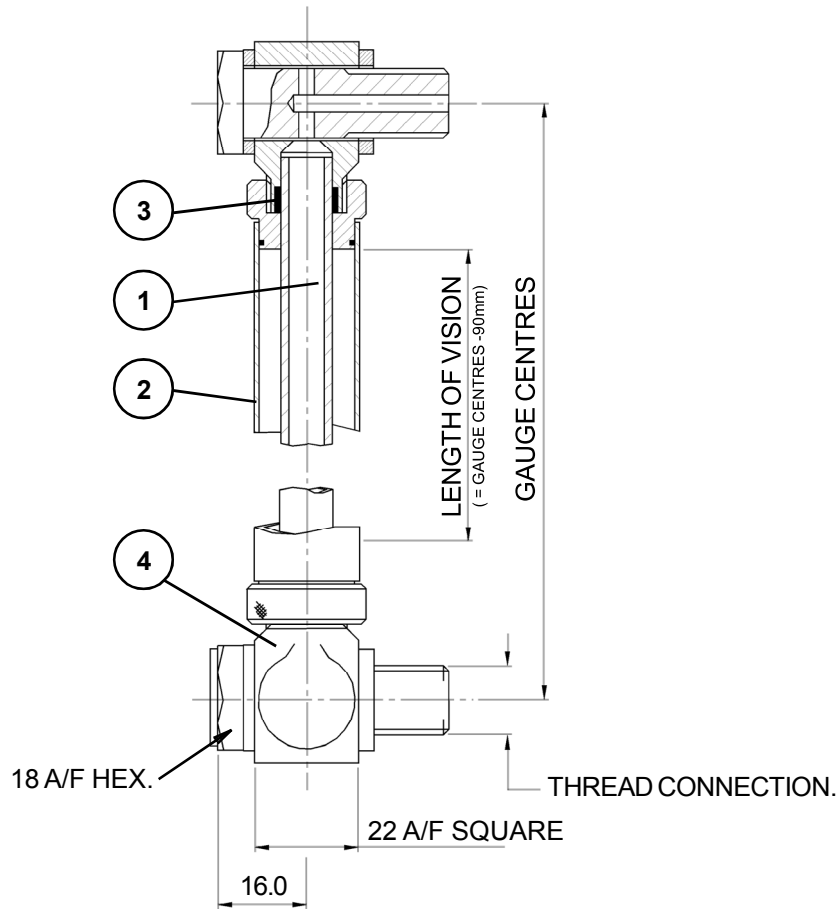
Quotation for scale plates, on request.
 Standard gauges have level marker strips.

WORKING PRESSURE:

Standard working pressure = 19 Bar.g. (options available)
 High Pressure available, subject to application, up to = 30 Ba r.g. (G273289 Type)

OPERATING TEMPERATURE:

Up to 180°C, subject to application.



SEETRU LIMITED

ALBION DOCKSIDE WORKS, BRISTOL. BS1 6UT
 TELEPHONE +44 (0) 117 927 9204, FAX +44 (0) 117 929 8193
 www.seetru.com enquiries@seetru.com

MINI GAUGE

**MINI GAUGE
 TYPE G27**