

C.P.I. MODEL G231

GAUGE CONSTRUCTION

CONSTRUCTION MATERIALS	
SIGHT TUBE	BOROSILICATE GLASS BS3643. 1975
GUARD TUBE	STAINLESS STEEL 316
GLANDS	P.T.F.E. (TEFLON)

VALVE CONSTRUCTION

CONSTRUCTION MATERIALS	
STAINLESS STEEL 316 P.T.F.E. (TEFLON) SEALS	

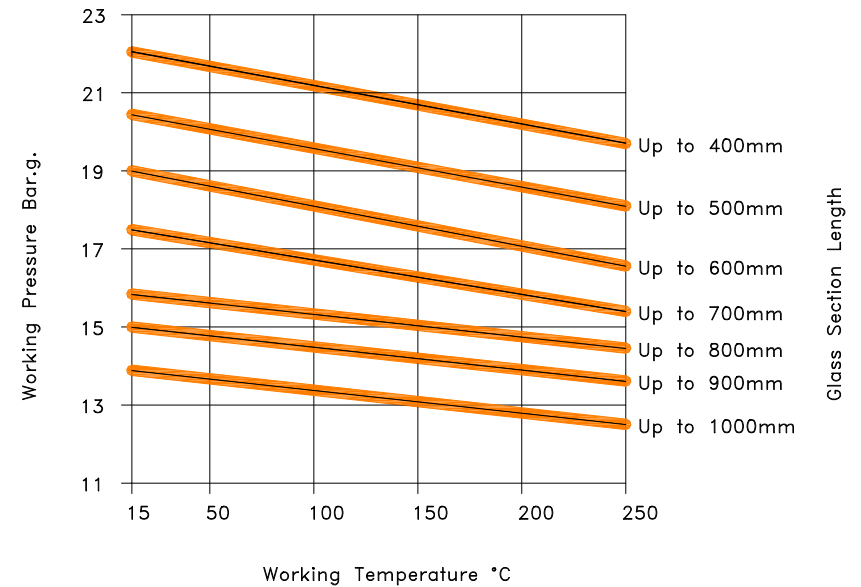
FLANGE CONNECTIONS

SIZES AVAILABLE	
1" BS10 TABLE D & TABLE J 25mm BS4504: TABLE 16 & TABLE 40 1" ASA 150RF & ASA 300RF 25mm DIN PN16 & PN40	
1 1/2" OR 2" FLANGES CAN BE SUPPLIED	

Technical Data

The Maximum Pressure & Temperature are dependent on the length of the gauge glass column sections. Intermediate supports are used to reduce the length of the glass column sections and so achieve higher pressures & temperatures.
 Max. Gauge Centres: To suit requirements.
 Min. Gauge Centres: 150mm.
 For gauges longer than 1000mm, the column is split into sections using intermediate supports. Each sections maximum length is 1000mm.

* FOR HIGHER PRESSURES, PLEASE SEE G34 REFLEX GAUGE DATA SHEET.



SEETRU LIMITED

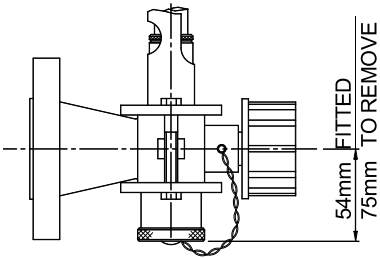
ALBION DOCKSIDE WORKS, BRISTOL. BS1 6UT
 TELEPHONE +44 (0) 117 927 9204, FAX +44 (0) 117 929 8193
 www.seetru.com enquires@seetru.com

C.P.I. LIQUID LEVEL GAUGE G231 & G232

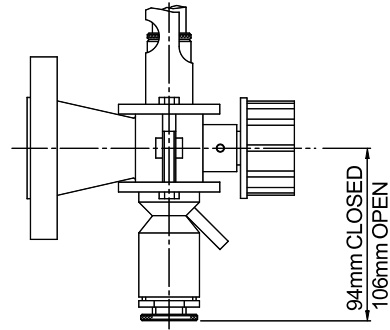
FOR DIRECT LEVEL OBSERVATION OF PROCESS CHEMICAL LIQUIDS

SHEET 1 OF 3 SHEETS

ALTERNATIVE FITTINGS

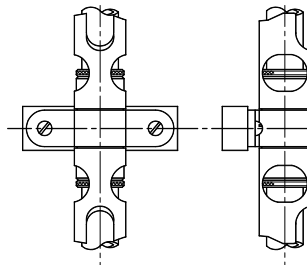


DRAIN/VENT PLUG



SAMPLING VALVE

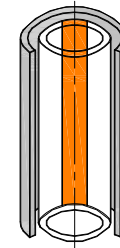
INTERMEDIATE SUPPORT
(MODEL G231)



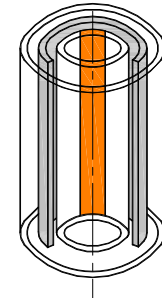
THE MODEL G231 IS SUPPLIED IN A SINGLE SECTION UP TO 1000mm.

LONGER COLUMNS ARE SUPPLIED WITH INTERMEDIATE SUPPORTS WHICH DIVIDE THE COLUMN INTO SECTIONS, NOT EXCEEDING 1000mm IN EACH LENGTH. A SUPPORT PAD WILL BE REQUIRED ON THE TANK.

GUARD TUBE PROTECTION



SINGLE SKIN GUARD G231



DOUBLE SKIN GUARD G232

GUARD TUBE MODEL G232 IS COMPLETELY HOUSED IN A CLEAR POLYCARBONATE TUBE (DOUBLE SKIN). FOR ADDITIONAL PROTECTION AND TO PREVENT SPILLAGE, IN THE EVENT OF A GLASS BREAKAGE.

ORDERING SPECIFICATION

WHEN ORDERING PLEASE SPECIFY THE FOLLOWING:

1. COLUMN TYPE:	2. VALVE MOUNTING CENTRES:	3. CONNECTIONS:	4. OPERATING CONDITIONS:
<ul style="list-style-type: none"> · MODEL G231 (TUBULAR COLUMN) · MODEL G232 (DOUBLE SKIN GUARD) 	<ul style="list-style-type: none"> · MODELS G231 / G232 · SPECIFY LENGTH REQUIRED TO SUIT TANK. 	<ul style="list-style-type: none"> · FLANGE SIZE AND SPECIFICATION. · VALVE UNITS / ADDITIONAL FITTINGS REQUIRED. 	<ul style="list-style-type: none"> · FLUID. · OPERATING TEMPERATURE. · OPERATING PRESSURE.



SEETRU LIMITED

ALBION DOCKSIDE WORKS, BRISTOL. BS1 6UT
 TELEPHONE +44 (0) 117 927 9204, FAX +44 (0) 117 929 8193
 www.seetru.com enquires@seetru.com

SHEET 2 OF 3 SHEETS

C.P.I. LIQUID LEVEL GAUGE
 G231 & G232

FOR DIRECT LEVEL OBSERVATION OF PROCESS CHEMICAL LIQUIDS

SIMPLE INSTALLATION

GAUGES ARE SUPPLIED COMPLETE WITH COLUMN ASSEMBLY AND STAINLESS STEEL FLANGED VALVES FOR INSTALLATION ONTO TANK FITTINGS.

CLEAR & ACCURATE INDICATION

CLEAR LEVEL INDICATION, OF EVEN COLOURLESS LIQUIDS, IS PROVIDED AND THE LIQUID LEVEL VIEWED IN THE GAUGE COLUMN CORRESPONDS TO THE LIQUID LEVEL IN THE TANK. THE LEVEL OF COLOURLESS LIQUIDS IS INDICATED BY MAGNIFICATION OF A COLOURED STRIP ON THE BOROSILICATE SIGHT TUBE.

GAUGE ISOLATING VALVES

PURPOSE DESIGNED HANDWHEEL OPERATED ISOLATING VALVES, INCORPORATING AN AUTO SAFETY BALL CHECK VALVE, WITH P.T.F.E./TEFLON SEALS, ARE SUPPLIED FOR MAXIMUM SAFETY.

COLUMN REMOVAL WITHOUT EMPTYING THE TANK

CLOSING ISOLATING VALVES TOP & BOTTOM ALLOWS THE COLUMN TO BE REMOVED FROM THE TANK EVEN WHEN THE TANK IS FULL OR UNDER PRESSURE.

TANK CALIBRATION

WHERE PRECISE MEASUREMENT OF THE LIQUID CONTENT IS REQUIRED A GRADUATED SCALEPLATE CAN BE ATTACHED TO THE COLUMN ASSEMBLY.

GAUGE ISOLATING VALVES

- ALL WETTED PARTS ARE MANUFACTURED IN 316 STAINLESS STEEL.
- P.T.F.E. (TEFLON) SEALS ALLOW FOR A WIDE RANGE OF LIQUIDS TO BE GAUGED.
- AUTO SAFETY BALL CHECK TO PREVENT LIQUID LOSS IN THE EVENT OF GLASS BREAKAGE.
- SAMPLING VALVES OR DRAIN/VENT PLUGS ARE AVAILABLE. IN-PLACE CLEANING OF THE GAUGE COLUMN IS POSSIBLE USING THE DRAIN/VENT CONNECTIONS.
- A VALVELESS UNIT PROVIDING CONTINUOUS TANK RETURN IS AVAILABLE (THIS SHOULD NOT BE SPECIFIED FOR PRESSURIZED TANKS, OR FOR INSTALLATION BELOW THE HIGHEST LIQUID LEVEL).



SHEET 3 OF 3 SHEETS

SEETRU LIMITED

ALBION DOCKSIDE WORKS, BRISTOL. BS1 6UT
TELEPHONE +44 (0) 117 927 9204, FAX +44 (0) 117 929 8193
www.seetru.com enquires@seetru.com

C.P.I. LIQUID LEVEL GAUGE G231 & G232

FOR DIRECT LEVEL OBSERVATION OF PROCESS CHEMICAL LIQUIDS