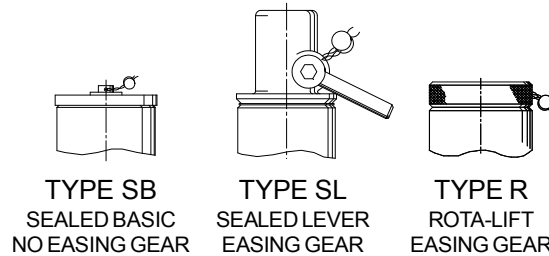


ILLUSTRATED SHOWING
TYPE L
LEVER LIFT
EASING GEAR
(OPTION NOT AVAILABLE AS 94625 TYPE)

ALTERNATIVE TOP FITTINGS



APPROVALS

Designed in accordance with BS EN ISO 4126-1
TÜV Approved
TÜV.SV.**-1016.25.D/G.0,80.p for 4 - 19 Bar.g
TÜV.SV.**-1016.25.D/G.0,76.p for 19 - 20 Bar.g
Below 4 Bar.g see ' α_w vs Set Pressure' chart.
93625 type materials meet the requirements of BAM (Germany)
for oxygen service,
P.E.D. 2014/68/EU
Type examination module B, Cert. No. 01 202 642-B-10017
Quality management system module D, Cert. No. COV0812369/01.

TECHNICAL DATA

Relieving pressure	= Set pressure +10%	0.1 Bar.g below 1.0 Bar.g
Reseating pressure	= Set pressure -10%	0.3 Bar.g below 3.0 Bar.g
Maximum set pressure	= 20.0 Bar.g	
Minimum set pressure	= 0.3 Bar.g	
Flow area	= 491 mm ²	
Inlet bore diameter	= 25 mm	
TÜV allotted outflow coefficient α_w	= 0.8	From 4 - 19 Bar.g
TÜV allotted outflow coefficient α_w	= 0.76	From 19 - 20 Bar.g
	= Below 4 Bar.g	see ' α_w vs Set Pressure' chart.

Leak tightness at 90% set pressure to API 527 and in accordance with BS 6759 Part 3 1984, Table 9 Grade 2.
Greater leak tightness may be achieved on request.
Maximum temperature = 250°C Note: For sealed top fittings, max. temp. dependent on seal material.
Minimum temperature = -196°C subject to material specification.
Maximum permissible built up back pressure = 10% of set pressure at or below which flow is not reduced.
Stable operation on flows down to 50% of valve rated capacity.
FOR FURTHER INFORMATION, INSTALLATION AND OPERATIONS, CONVERSION FACTORS ETC.
SEE TECHNICAL INFORMATION.

PARTS LIST & MATERIAL SPECIFICATION

		93625	94625**
1	SEAT	BRASS	ST.STL.
2	BODY	ST.STL.	
3	DISC	ST.STL. 316	ST.STL. 440B
4	BALL	ST.STL.	
5	DISC HOLDER	ST.STL.	
6	PLUNGER	ST.STL.	
7	SPRING HOUSING	BRASS	ST.STL.
8	SPRING	ST.STL.	
9	SPINDLE	ST.STL.	
10	ADJUSTER	BRASS	ST.STL.
11	CAP	BRASS	ST.STL.
12	WIRE & SEAL	ST.STL. & LEAD	
13	LEVER	BRASS	ST.STL. *
14	O'RING	TO SUIT APPLICATION	

* TYPE SL ONLY

** 94625 TYPE VALVE, SEE TYPE SL OPTION NOTES.



SEETRU LIMITED

ALBION DOCKSIDE WORKS, BRISTOL. BS16UT
TELEPHONE +44 (0) 117 930 6100, FAX +44 (0) 117 929 8193
www.seetru.com info@seetru.com

25mm Nominal Bore
DIRECT SPRING LOADED ENCLOSED
DISCHARGE SAFETY VALVE FOR
COMPRESSED AIR, GASES & STEAM

SHEET 1 OF 3 SHEETS

ENCLOSED DISCHARGE
25mm NOMINAL BORE SERIES

TYPE 93625 BRASS
TYPE 94625 ST.STL.

FLOW CHART

-TO CALCULATE INTERMEDIATE FLOWS SEE TECHNICAL INFORMATION SECTION

-FOR LESSER FLOWS REFER TO 20mm BORE TYPE 93620 DATA SHEET.

SET PRESSURE Bar.g	0.3	0.5	1.0	2.0	3	4	5	6	7	8	9	10	15	20
RATED DISCHARGE * CAPACITY IN ACCORDANCE WITH BS6759, AIR AT 15°C AND 1013 mbar std. Litres/s	66.0	85.6	128.8	238.3	325.6	408.6	491.7	574.7	657.8	740.8	823.9	906.9	1322.2	1650.6
RATED DISCHARGE * CAPACITY IN ACCORDANCE WITH BS6759 PART 1, STEAM Kg/h	176.8	233.2	351.8	650.9	889.2	1115.9	1342.7	1569.5	1796.3	2023.1	2249.9	2476.6	3610.6	4507.3
RATED DISCHARGE * CAPACITY IN ACCORDANCE WITH TUV, AIR AT 0°C AND 1013 mbar Normal m³/h	220.2	304.8	458.7	837.9	1153.7	1447.9	1742.2	2036.4	2330.7	2624.9	2919.2	3213.4	4684.7	5848.1
RATED DISCHARGE * CAPACITY IN ACCORDANCE WITH TUV, STEAM Kg/h	182.3	242.2	361.9	663	900.6	1121.9	1343.4	1562.5	1784.0	2004.4	2223.6	2441.6	3533.3	4388.9

* DISCHARGE TO ATMOSPHERE

O'RING SEAL CHART

O'RING MATERIAL	10th DIGIT	MAX. STATIC TEMP. °C	MIN. STATIC TEMP. °C
NITRILE	1	150	-30
VITON®	3	250	-20
SILICONE	4	250	-50
NEOPRENE	5	120	-40
E.PROPYLENE	6	150	-40
# P.T.F.E.	7	250	-196

Note:

For valve **Type L**, O'rings not fitted. '0' indicates that no O'rings are required.

For valve **Type SB & SL**, digits '1 -7' indicates the required O'ring material dependent on the maximum /minimum static temperature.

Example:

Ordering code 93625A 413 3 is Brass seated, Sealed leverlift **Type SL**, with 1" BSP parallel MALE inlet connection, 2" BSP parallel outlet connection, with Viton® O'ring seals.

VALVE SELECTION CHART

Standard thread sizes shown, other sizes may be available.

INLET CONNECTION	OUTLET CONNECTION	ORDERING CODE	TOP FITTING CODE			
			SB	SL**	L**	R
G 1 (1" BSP PARALLEL MALE)	G 2 (2" BSP PARALLEL)	93625A	133	413	333	213
R 1 (1" BSP TAPER MALE)		94625A	134	414	334	214
G 1 (1" BSP PARALLEL FEMALE)		93625D 94625D	133	413	333	213

Example 1:

Ordering code 93625A 333 0 is Brass seated, Lever lift Type L, with 1" BSP parallel MALE inlet connection, 2" BSP parallel outlet connection.

Example 2:

Ordering code 93625D 333 0 is Brass seated, Lever lift Type L, with 1" BSP parallel FEMALE inlet connection, 2" BSP parallel outlet connection.

**** LEVER LIFTING VALVES**

FOR 94625 VALVES, SEALED LEVER TYPE SL, AVAILABLE ONLY.

FOR 93625 VALVES, OPEN LEVER TYPE L, AVAILABLE ONLY.



For cryogenic service TYPE S valves only.
**TYPE 94625 VALVES ARE NOT SUITABLE FOR
CRYOGENIC SERVICE. USE 93625 TYPE S.**

SHEET 2 OF 3 SHEETS

SEETRU LIMITED

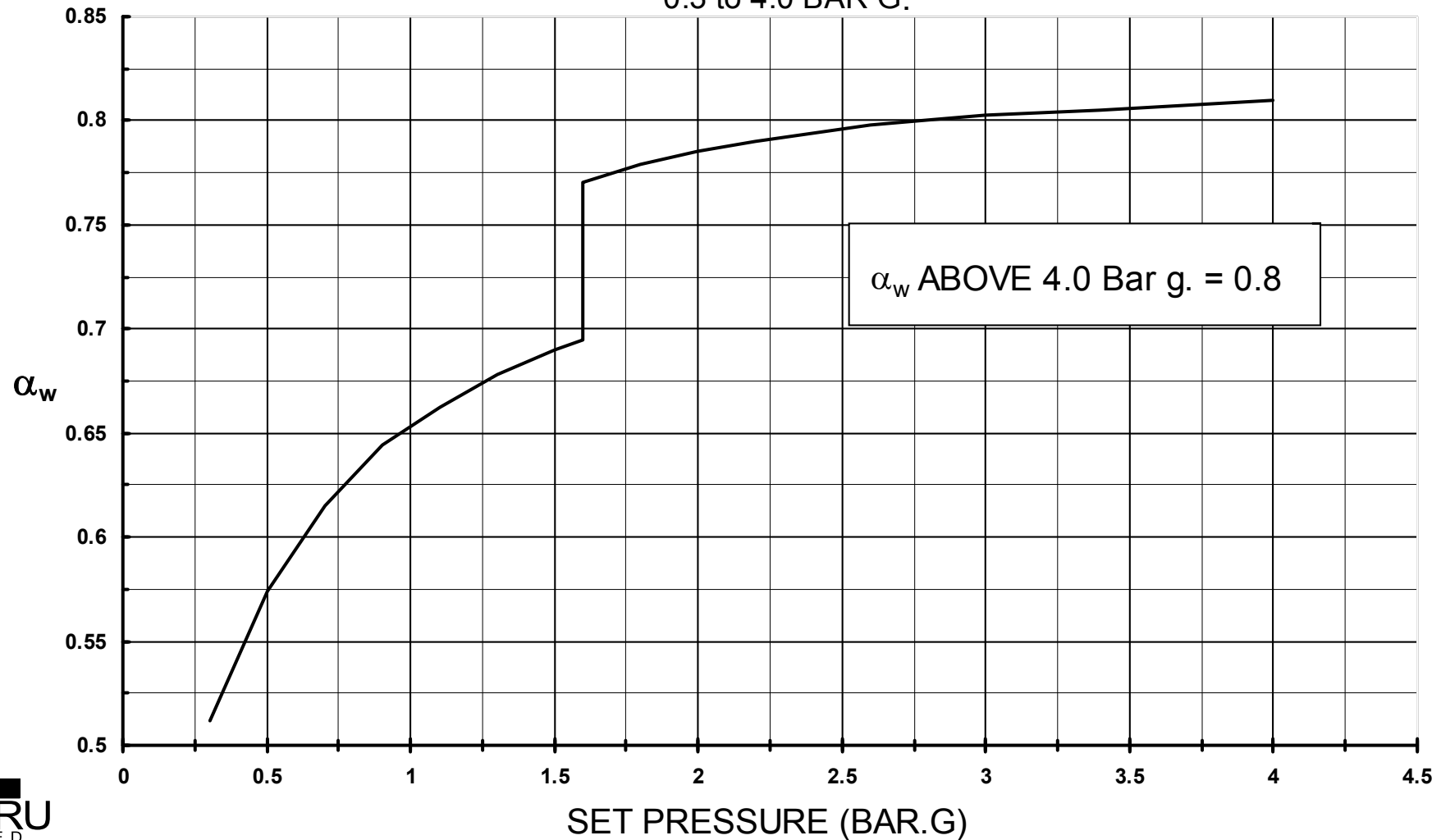
ALBION DOCKSIDE WORKS, BRISTOL. BS16UT
TELEPHONE +44 (0) 117 930 6100, FAX +44 (0) 117 929 8193
www.seetru.com info@seetru.com

25mm Nominal Bore
DIRECT SPRING LOADED ENCLOSED
DISCHARGE SAFETY VALVE FOR
COMPRESSED AIR, GASES & STEAM

ENCLOSED DISCHARGE
25mm NOMINAL BORE SERIES

TYPE 93625 BRASS
TYPE 94625 ST.STL.

α_w vs SET PRESSURE CHART
SEETRU SAFETY RELIEF VALVE 93625/94625.
0.3 to 4.0 BAR G.



α_w ABOVE 4.0 Bar g. = 0.8



SEETRU LIMITED
ALBION DOCKSIDE WORKS, BRISTOL. BS16UT
TELEPHONE +44 (0) 117 930 6100, FAX +44 (0) 117 929 8193
www.seetru.com info@seetru.com

25mm Nominal Bore
DIRECT SPRING LOADED ENCLOSED
DISCHARGE SAFETY VALVE FOR
COMPRESSED AIR, GASES & STEAM

SHEET 3 OF 3 SHEETS

ENCLOSED DISCHARGE
25mm NOMINAL BORE SERIES
TYPE 93625 BRASS
TYPE 94625 ST.STL.