

### PARTS LIST & MATERIAL SPECIFICATION

		63618, 63718, 63118	64618, 64718, 64118 *	65618, 65718, 65118 *
1	INLET SEAT	BRASS BS EN 12164 CW614N	ST.STL. BS EN 10088-3 1.4401 (316) SA-479 S31600	ST.STL. BS EN 10088-3 1.4401 (316) SA-479 S31600
2	'O' RING	SEE SELECTION CHART		
3	SEAL RETAINER	BRASS BS EN 12164 CW614N	ST.STL. BS EN 10088-3 1.4401 (316)	ST.STL. BS EN 10088-3 1.4401 (316)
4	PLUNGER	BRASS BS EN 12164 CW602N	ST.STL. BS EN 10088-3 1.4401 (316)	BRASS BS EN 12164 CW602N
5	BODY	BRONZE / GUNMETAL BS EN 1982 CC491K SB-62 C83600	ST.STL. BS EN 10283 1.4408 (316) SA-351 CF8M	BRONZE / GUNMETAL BS EN 1982 CC491K SB-62 C83600
6	SPRING	ST.STL. BS EN 10270-3 1.4310 (302)		
7	SPINDLE	ST.STL. BS EN 10088-3 1.4057 (431)		
8	ADJUSTER	BRASS BS EN 12164 CW614N	ST.STL. BS EN 10088-3 1.4401 (316)	BRASS BS EN 12164 CW614N
9	CAP	BRASS BS EN 12164 CW614N	ST.STL. BS EN 10088-3 1.4401 (316)	BRASS BS EN 12164 CW614N
10	WIRE & SEAL	ST.STL. & LEAD		

\* 64618 & 65618 TYPE VALVES, SEE 'TYPE L' OPTION NOTE.

### APPROVALS

Ad 2000-Merkblatt A2: (TÜV GERMANY) TÜV.SV.\*\*-916.17.D/G.α<sub>w</sub>,p,

Designed in accordance with BS EN ISO 4126-1.

P.E.D. 2014/68/EU

Type examination module B, Cert. No.01 202 642-B-10016

Quality management system module D, Cert. No. COV0812369/01

Meeting the requirements of the A.S.M.E. Boiler & Pressure Vessel Code section VIII for air/gas.

UV Cert. of Authorisation: 35757

Capacities certified by the National Board of Boiler & Pressure Vessel Inspectors.

### TECHNICAL DATA

Relieving pressure	= Set pressure +10%	
Reseating pressure	= Set pressure -10%	(0.3 Bar.g minimum)
Maximum set pressure	= 35 Bar.g	(12 Bar.g Steam)
Minimum set pressure	= 1.0 Bar.g	(A.S.M.E. 2.4 Bar.g)
Flow area	= 227mm <sup>2</sup>	
Inlet bore diameter	= 17mm	
TÜV allotted outflow coefficient α <sub>w</sub>	= 0.74 from 1.0 to 2.4 Bar.g	
	= 0.84 from 2.4 to 35.0 Bar.g	

NB Certified rated slope

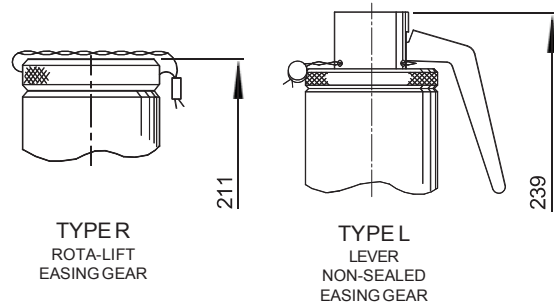
Temperature Range

Maximum permissible built up back pressure = 10% of set pressure at or below which flow is not reduced.

Stable operation on flows down to 50% of valve rated capacity.

FOR FURTHER INFORMATION, INSTALLATION AND OPERATION INSTRUCTIONS, CONVERSION FACTORS ETC. SEE TECHNICAL INFORMATION SECTION.

### ALTERNATIVE TOP FITTINGS



(OPTION NOT AVAILABLE FOR 64618 & 65618 TYPE VALVES)



**SEETRU LIMITED**

ALBION DOCKSIDE WORKS, BRISTOL. BS16 6UT

TELEPHONE +44 (0) 117 930 6100, FAX +44 (0) 117 929 8193

www.seetru.com info@seetru.com

18mm Nominal Bore  
DIRECT SPRING LOADED ENCLOSED  
DISCHARGE SAFETY VALVE FOR  
COMPRESSED AIR, GASES & STEAM

SHEET 1 OF 2 SHEETS.

ENCLOSED DISCHARGE  
18mm NOMINAL BORE SERIES M/2  
TYPE 63618, 63718, 63118 BRASS  
TYPE 64618, 64718, 64118 ST.STL.  
TYPE 65618, 65718, 65118 BRASS / ST.STL.

### FLOW CHART (P.E.D.)

-TO CALCULATE INTERMEDIATE FLOWS SEE TECHNICAL INFORMATION SECTION B  
 -FOR GREATER FLOWS REFER TO 20mm BORE TYPE 63620 DATA SHEET, FOR LOWER FLOWS REFER TO 13 mm BORE 63613 DATA SHEET

SET PRESSURE Bar.g	1	2	3	4	5	6	7	8	9	10	15	20	25	30	35
RATED DISCHARGE * CAPACITY IN ACCORDANCE WITH BS EN 4126, AIR AT 15°C AND 1013 mbar Std. Litres/s	68	104	159	200	241	280	320	361	401	442	644	846	1049	1251	1454
RATED DISCHARGE * CAPACITY IN ACCORDANCE WITH TÜV, AIR AT 0°C AND 1013 mbar normal m³/h	241.7	367.6	560.1	703.0	845.9	988.7	1131.6	1274.4	1417.3	1560.2	2274.5	2988.8	3703.1	4417.4	5131.8

### FLOW CHART (A.S.M.E.)

SET PRESSURE Psig	35	40	50	60	70	80	90	100	150	200	250	300	400	500	507
RATED DISCHARGE * CAPACITY IN ACCORDANCE WITH A.S.M.E AIR AT 60°F AND 14.7 psia/scfm	298	329	390	452	514	575	637	698	1006	1314	1622	1930	2546	3162	3205

\* DISCHARGING TO ATMOSPHERE  
 BS CALCULATIONS ARE FOR GUIDANCE ONLY.

### FLOW CHART (P.E.D.) SATURATED STEAM

SET PRESSURE Bar.g	1	2	3	4	5	6	7	8	9	10	11	12
RATED DISCHARGE * CAPACITY IN ACCORDANCE WITH BS EN 4126 STEAM Kg/hr	186	288	435	544	652	759	866	972	1079	1186	1291	1397
RATED DISCHARGE * CAPACITY IN ACCORDANCE WITH TÜV STEAM Kg/hr	186	283	431	541	651	761	871	981	1091	1201	1311	1421

### VALVE TYPE OPTIONS:

63618, 64618, 65618 = TUV, B.S. (P.E.D.)  
 63718, 64718, 65718 = A.S.M.E. & N.B.  
 63118, 64118, 65118 = A.S.M.E. & N.B., TUV, B.S. (P.E.D.)

### VALVE SELECTION CHART

Standard thread sizes shown, other sizes may be available

INLET CONNECTION	OUTLET CONNECTION	ORDERING CODE	TOP FITTING CODE		
			L*	R	SB
G 1 (1" BSP PARALLEL)	G 1 1/2 (1 1/2" BSP PARALLEL)	63618A 63718A 63118A	3333	2133	1333
R 1 (1" BSP TAPER)			3343	2143	1343
1" NPT			3353	2153	1353
G 1 1/4 (1 1/4" BSP PARALLEL)		64618A 64718A 64118A	3363	2163	1363
R 1 1/4 (1 1/4" BSP TAPER)		65618A 65718A 65118A	3373	2173	1373
1 1/4" NPT			3383	2183	1383
G 1 1/2 (1 1/2" BSP PARALLEL)		65618A 65718A 65118A	3393	2193	1393
R 1 1/2 (1 1/2" BSP TAPER)			3403	2203	1403
1 1/2" NPT			3413	2213	1413

Example:

Ordering code 63618A 133 3 is Sealed, Type SB with 1" BSP Parallel inlet connection. 1 1/2" BSP Parallel outlet connection with Viton® seals and wirelocked.

\* 'TYPE L' OPTION NOT AVAILABLE FOR 64618 & 65618 TYPE VALVES.

Seal material:

Last digit of ordering code calls up Viton® 'O' ring seal, (since this is the most universal type). When other material is required this changes to:

1. NITRILE
3. VITON®
5. NEOPRENE
6. ETHYLENE PROPYLENE
8. PERFLUOROELASTOMER

For advice on seal material selection refer to Technical Information Section A.



**SEETRU LIMITED**  
 ALBION DOCKSIDE WORKS, BRISTOL. BS16 6UT  
 TELEPHONE +44 (0) 117 930 6100, FAX +44 (0) 117 929 8193  
 www.seetru.com info@seetru.com

18mm Nominal Bore  
 DIRECT SPRING LOADED ENCLOSED  
 DISCHARGE SAFETY VALVE FOR  
 COMPRESSED AIR, GASES & STEAM

SHEET 2 OF 2 SHEETS.

ENCLOSED DISCHARGE  
 18mm NOMINAL BORE SERIES M/2  
 TYPE 63618, 63718, 63118 BRASS  
 TYPE 64618, 64718, 64118 ST.STL.  
 TYPE 65618, 65718, 65118 BRASS / ST.STL.