

for compressed air or gases

## Type 31210

Safety valves made from Brass <  
Atmospheric discharge with threaded connections <

### Example Applications

- Compressors
- Pressure vessels
- Pneumatic systems
- High pressure systems

### Specifications

- Inlet connections: 3/8" to 3/4"
- Temperature: -40°C to +200°C (depending on seal material)
- Pressure range: 20.6 to 134.5 barg

### Materials of Construction

Component	Material	Grade
Inlet	Stainless Steel	304S15
Body	Brass	BS2874 CZ121
Internal parts	Brass & Stainless Steel	BS2874 CZ121 & 303S32
Spring	Stainless Steel	302



### Approvals

- TÜV Type test approval
- Designed in accordance with BS EN SO 4126-1.
- PED 2014/68/EU
- EAC



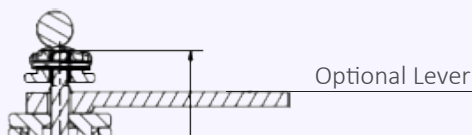
### Seal Materials

Seal Material	Temperature Range
Viton® (FKM)	-15°C to +200°C
Nitrile (NBR)	-40°C to +120°C

### Easing Gear / Lifting Gear Options

**Standard option** – No easing gear. Fitted with downward deflecting shroud

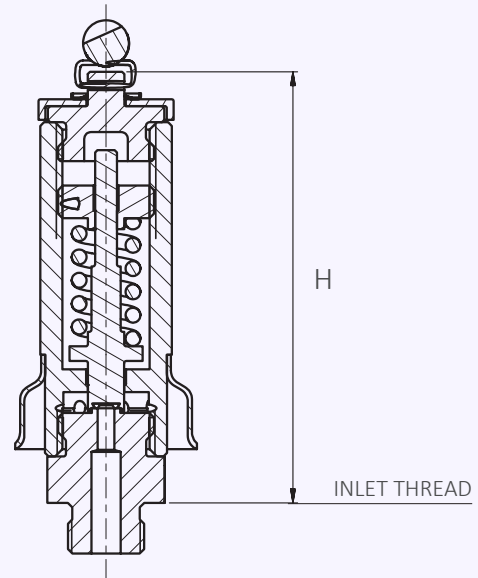
**Optional** – Lever lift easing gear



## Technical information by bore size

Bore size	3.2mm		
Inlet Size	3/8"	1/2"	3/4"
Flow Area	10.46mm <sup>2</sup>		
H - Height	94mm		
TÜV alloted outflow coefficient	0.68		
Weight (approximate) Kg	0.5		
Set Pressure range - PED (CE) Bar g	48.2 to 241.4		
Relieving pressure/fully open pressure	Set pressure +10%		
Reseating pressure	Set pressure -15%		

## Valves with Rota-lift Easing Gear



## Standard Thread Connection Types

- BSP Parallel male thread (3/8", 1/2" or 3/4")
- BSP Taper male thread (3/8" or 1/2")
- NPT male thread (1/2")

## Valve Selection Guide

Approval Required	Valve type	Inlet Size	Thread Type	Easing Gear	Seal Material
PED (CE)	31210	Select inlet size from above table	Select thread type	None	Viton® (FKM) Nitrile (NBR)

EAC marking available upon request


**\*Please send your selected details to Seetru and we can provide the full ordering code, price and lead-time.**

## Example of Valve Selection Process

Example Selection	CE	31210	1/2"	BSP parallel	None	Viton	100 barg
	Approval	Valve Type	Inlet Size	Thread Type	Easing Gear	Seal	Set Pressure

Capacity Table - In accordance with TÜV, AIR at 0°C and 1013mbar. Normal m<sup>3</sup>/hour  
 Type 31210: Flow rates at 10% above the set pressure



Set Pressure			Bore Size (D0)			
			3.65mm			
Bar g	Psi g		Nm <sup>3</sup> /Hour			
48.2	698.9		261.8			
50.0	725.0		271.5			
60.0	870.0		324.8			
70.0	1015.0		378.1			
80.0	1160.0		431.4			
90.0	1305.0		484.7			
100.0	1450.0		538.0			
150.0	2175.0		804.6			
200.0	2900.0		1071.1			
240.0	3480.0		1284.1			
241.4	3500.3		1292.1			