

for compressed air or gases

Type 31140

Safety valves made from Brass <
Atmospheric discharge with threaded connections <

Example Applications

- Compressors including PET compressors
- Pressure vessels
- Pneumatic systems

Specifications

- Inlet connections: 2" (or 2 1/2" using adapter)
- Temperature: -40°C to +200°C (depending on seal material)
- Pressure range: 2.8 to 9.4 barg
(2.8 to 3.8, 4.3 to 4.5, 5.5 & 7.7 to 9.4 barg)

Materials of Construction

Component	Material	Grade
Inlet	Brass	BS2874 CZ121
Body	Brass	BS2874 CZ121
Internal parts	Brass	BS2874 CZ121
Spring	Carbon Steel	BS5216



Approvals

- TÜV Type test approval
- Designed in accordance with BS EN SO 4126-1.
- PED 2014/68/EU
- EAC



Seal Materials

Seal Material	Temperature Range
Viton® (FKM)	-15°C to +200°C
Nitrile (NBR)	-40°C to +120°C

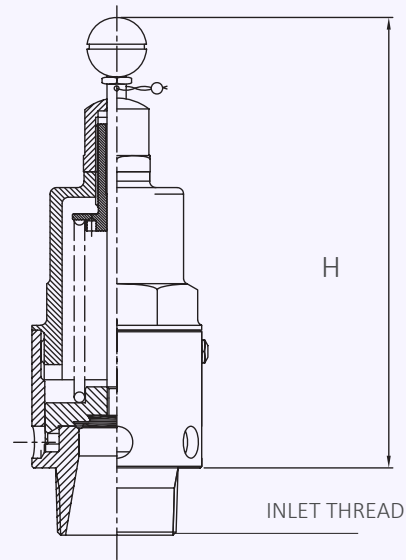
Easing Gear / Lifting Gear Options

- Standard option – knob-lift

Technical information by bore size

Bore size	37.5mm	
Inlet Size	2"	2 1/2"
Flow Area	1104.5mm ²	
H - Height	230mm	
TÜV allotted outflow coefficient	0.74	
Weight (approximate) Kg	*	
Set Pressure range - PED (CE) Bar g	2.8 to 9.4 barg	
Relieving pressure/fully open pressure	Set pressure +10%	
Reseating pressure	Set pressure -10%	

Valves with Rota-lift Easing Gear



Standard Thread Connection Types

- BSP Parallel male thread
- BSP Taper male thread
- NPT male thread

Valve Selection Guide

Approval Required	Valve type	Inlet Size	Thread Type	Easing Gear	Seal Material
PED (CE)	31140	Select inlet size from above table	Select thread type	Knob-lift only	Viton® (FKM)
					Nitrile (NBR)

EAC marking available upon request


***Please send your selected details to Seetru and we can provide the full ordering code, price and lead-time.**

Example of Valve Selection Process

Example Selection	CE	31140	2"	BSP Taper	Rota-lift	Viton	3.5 barg
	Approval	Valve Type	Inlet Size	Thread Type	Knob-Lift	Seal	Set Pressure

Capacity Table - In accordance with TÜV, AIR at 0°C and 1013mbar. Normal m³/hour
 Type 31140: Flow rates at 10% above the set pressure



Set Pressure			Bore Size (D0)			
			37.5mm			
Bar g	Psi g		Nm ³ /Hour			
2.8	40.6		2278			
3.8	55.1		2891			
4.3	62.35		3197			
4.5	65.25		3319			
5.5	79.75		3932			
7.7	111.65		5279			
8	116		5463			
9	130.5		6075			
9.4	136.3		6320			