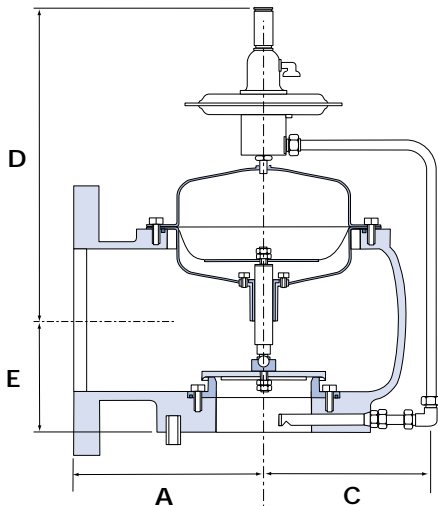


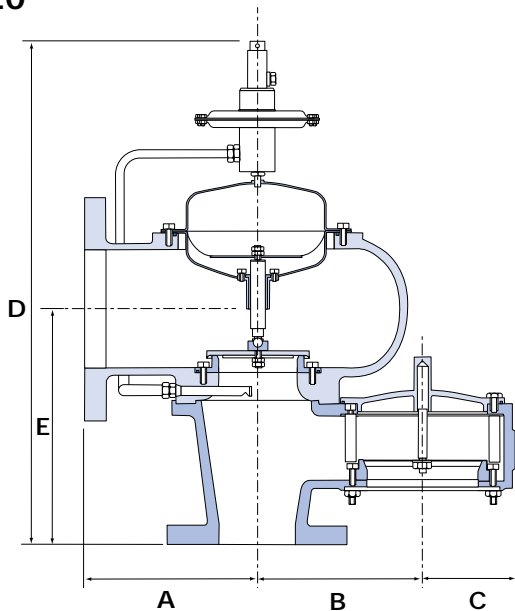
## PILOT OPERATED PRESSURE RELIEF - PIPED VENT

910



VALVE SIZE	DIMENSIONS mm				APPROXIMATE WEIGHTS - Kgs	
	A	C	D	E	ALUM	CS/SS
2" x 3"	153	180	376	76	15	26
3" x 4"	193	180	404	89	20	40
4" x 6"	200	207	411	116	32	50
6" x 8"	245	220	429	142	45	80
8" x 10"	330	300	492	171	71	130
10" x 12"	410	360	538	201	117	240
12" x 16"	510	500	587	242	186	330

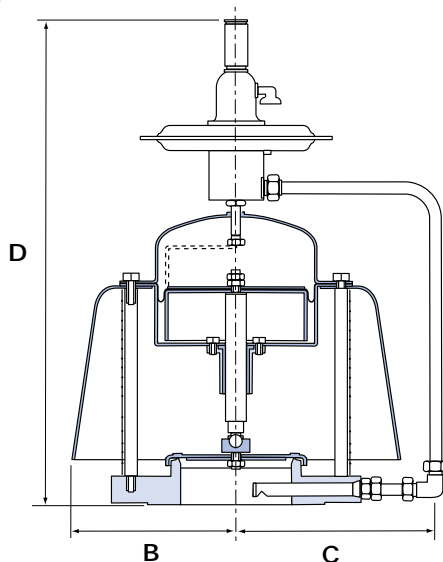
920



VALVE SIZE	DIMENSIONS mm					APPROXIMATE WEIGHTS - Kgs	
	A	B	C	D	E	ALUM	CS/SS
2" x 3"	153	146	89	595	226	35	46
3" x 4"	193	185	108	657	253	50	70
4" x 6"	200	213	120	712	301	72	100
6" x 8"	245	280	146	765	337	100	140
8" x 10"	330	335	173	895	403	151	210
10" x 12"	410	397	208	1017	482	254	354
12" x 16"	510	450	235	1142	550	371	515

## PILOT OPERATED PRESSURE RELIEF - ATMOSPHERIC VENT

930



VALVE SIZE	DIMENSIONS mm			APPROXIMATE WEIGHTS - Kgs
	B	C	D	CS/SS
2"	115	180	456	20
3"	122	205	481	22
4"	148	220	514	27
6"	197	250	533	39
8"	250	320	605	58
10"	308	360	706	88
12"	359	420	837	105