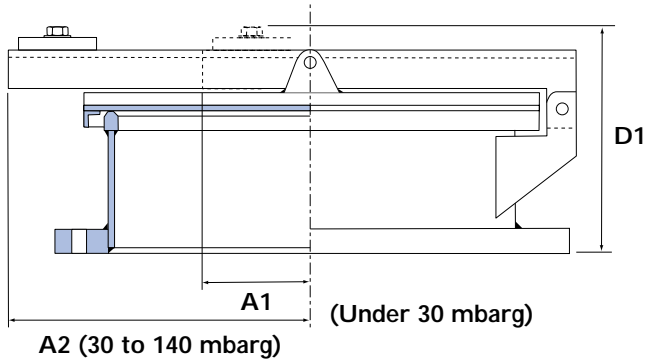
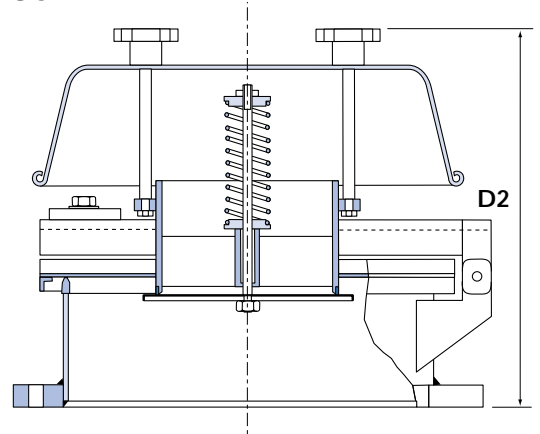


MANWAY/EMERGENCY VENTS

785



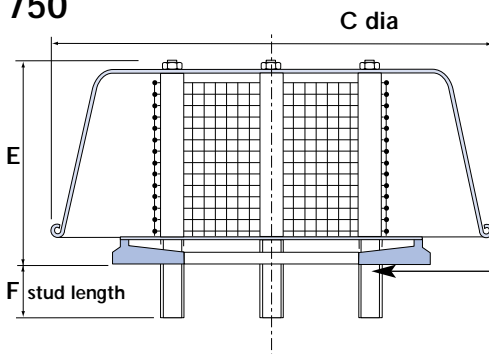
786



VALVE SIZE	DIMENSIONS mm				APPROXIMATE WEIGHTS - Kgs			
	A1	A2	D1	D2	785		786	
					ALUM	CS/SS	ALUM	CS/SS
DN250 (10")	93	293	246	N/A	14	35	N/A	N/A
DN300 (12")	67	367	246	N/A	16	40	N/A	N/A
DN400 (16")	316	446	246	510	18	50	N/A	N/A
DN450 (18")	325	445	246	510	20	60	53	86
DN500 (20")	331	671	246	510	25	130	58	165
DN600 (24")	368	818	246	510	30	160	63	195
DN750 (30")	422	1042	246	510	40	190	73	225
DN800 (32")	273	1022	246	510	50	230	83	265
DN900 (36")	125	1455	246	510	80	260	113	295

OPEN VENT

750



Note: The flange diameter, stud PCD, number and size of stud are to suit the required flange standard.

VALVE SIZE	DIMENSIONS mm			APPROXIMATE WEIGHTS - Kgs	
	C	E	F	750	
				ALUM	CS/SS
DN50 (2")	202	126	35	2	4
DN80 (3")	252	132	35	4	8
DN100 (4")	304	143	38	5	12
DN150 (6")	392	165	50	8	19
DN200 (8")	555	182	50	12	28
DN250 (10")	620	202	55	18	45
DN300 (12")	682	224	55	24	58

TYPEFLOW	FIG. 750 OPEN VENT NM ³ /H x 1000 AIR										
	DIFFERENTIAL PRESSURE										
	mb (P)						mb (V)				
VALVE SIZE	2.5	5	10	15	20	25	2.5	5	9	13	17
DN50 (2")	0.12	0.17	0.24	0.29	0.34	0.38	0.09	0.13	0.18	0.22	0.25
DN80 (3")	0.30	0.43	0.61	0.74	0.87	0.97	0.23	0.33	0.46	0.56	0.64
DN100 (4")	0.48	0.68	0.96	1.16	1.36	1.52	0.36	0.52	0.72	0.88	1.00
DN150 (6")	1.08	1.53	2.16	2.61	3.06	3.42	0.81	1.17	1.62	1.98	2.25
DN200 (8")	1.92	2.72	3.84	4.64	5.44	6.08	1.44	2.08	2.88	3.52	4.00
DN250 (10")	3.00	4.25	6.00	7.25	8.50	9.50	2.25	3.25	4.50	5.50	6.25
DN300 (12")	4.32	6.12	8.64	10.44	12.24	13.68	3.24	4.68	6.48	7.92	9.00