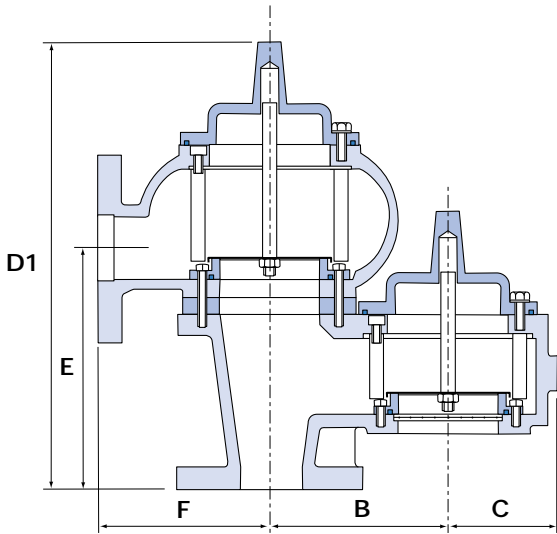
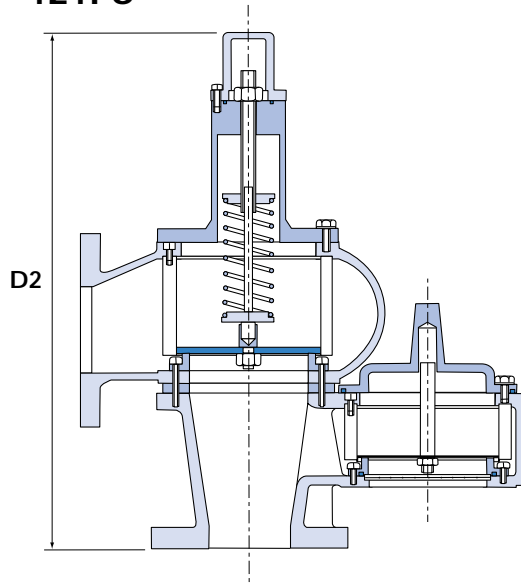


Piped Vents

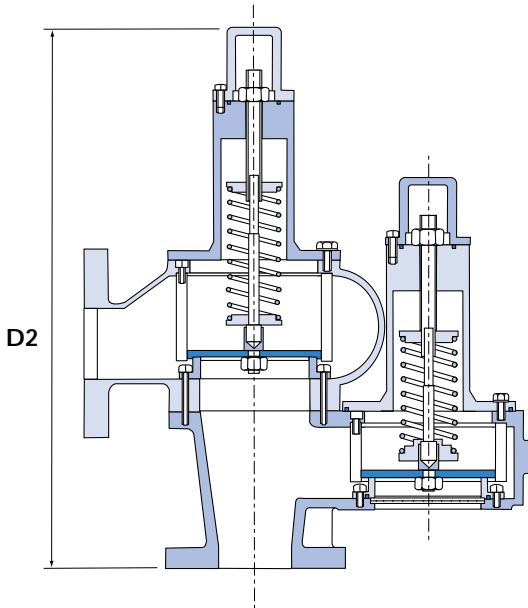
121F



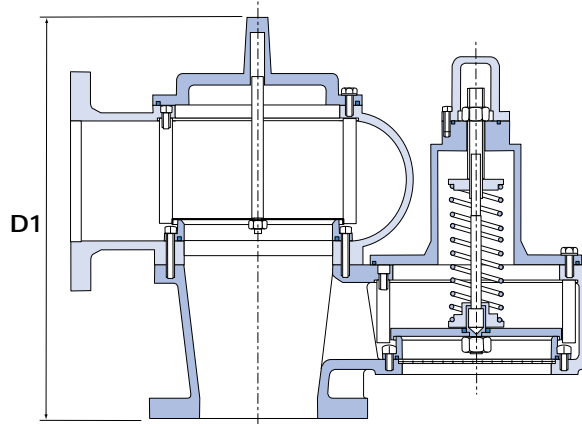
121FS



121FSS



121FSV



DIMENSIONS mm							APPROXIMATE WEIGHTS - Kgs							
							121F		121FS		121FSS		121FSV	
VALVE SIZE	B	C	D1	D2	E	F	ALUM	CS/SS	ALUM	CS/SS	ALUM	CS/SS	ALUM	CS/SS
DN50 (2")	146	81	364	528	197	140	9	41	11	48	13	55	11	48
DN80 (3")	185	100	424	571	238	180	12	60	16	70	20	80	16	70
DN100 (4")	213	119	472	612	261	200	18	85	25	97	32	109	25	97
DN150 (6")	280	143	517	670	310	242	32	113	40	125	48	137	40	125
DN200 (8")	335	173	590	730	362	310	50	168	60	188	70	208	60	188
DN250 (10")	397	202	650	831	400	358	76	250	88	280	100	310	88	280
DN300 (12")	450	235	725	870	435	393	101	346	115	385	130	424	115	385