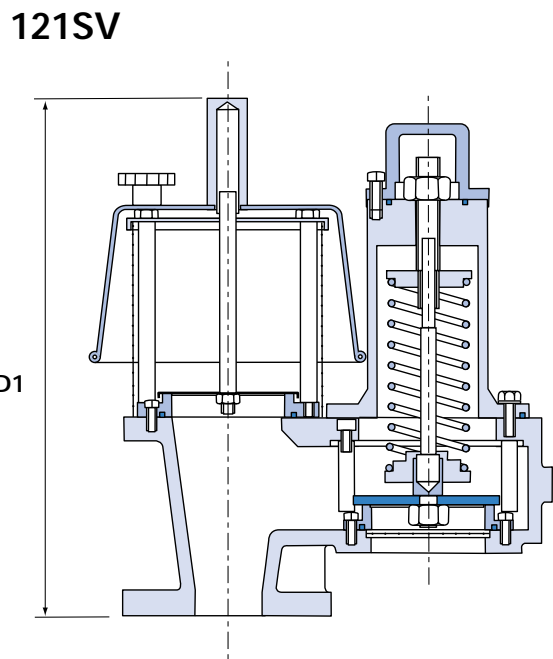
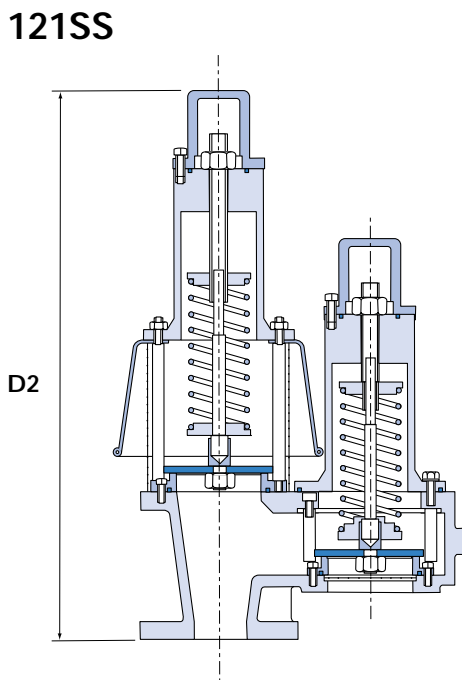
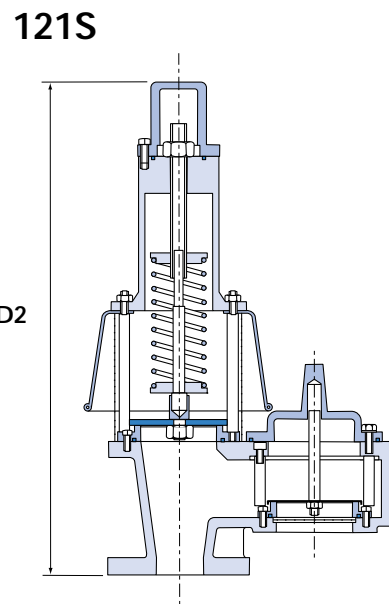
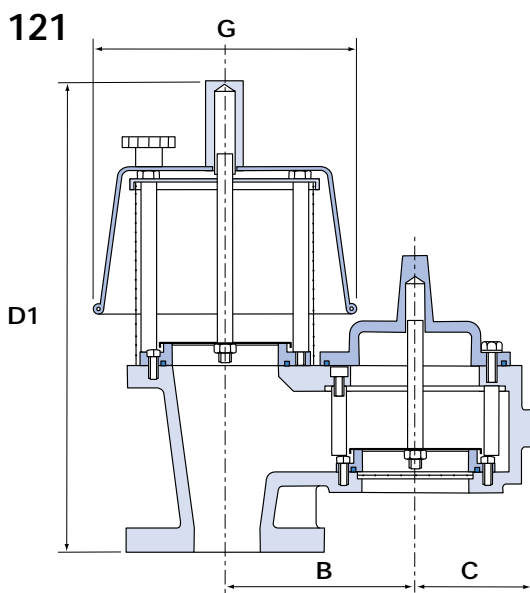


Atmospheric Vents



DIMENSIONS mm						APPROXIMATE WEIGHTS - Kgs							
						121		121S		121SS		121SV	
VALVE SIZE	B	C	D1	D2	G	ALUM	CS/SS	ALUM	CS/SS	ALUM	CS/SS	ALUM	CS/SS
DN50 (2")	146	81	362	533	202	6	19	8	26	10	31	8	26
DN80 (3")	185	100	393	564	253	8	29	11	40	14	51	11	40
DN100 (4")	213	119	421	591	303	12	40	17	52	22	64	17	52
DN150 (6")	280	143	477	659	392	20	52	28	75	34	98	28	75
DN200 (8")	335	173	584	707	535	33	80	43	100	53	120	43	100
DN250 (10")	397	202	639	810	620	50	137	62	167	74	197	62	167
DN300 (12")	450	235	677	826	682	66	185	80	226	94	267	80	226